

HPJ 1000VDC Class J Open Style Fuseholders

Mersen PV approved Class J fuseholders for use with Class J photovoltaic fuses

Designed specifically for Mersen's HP6J series of photovoltaic fuses, these fuseholders are certified for use with 90°C temperature rated conductors, an industry first. Fuseholders are available with box connectors, stud connectors or a combination of the two in order to meet various customer requirements. Insulators are either molded glass-filled polycarbonate or phenolic with verified dielectric strength in excess of 2500V. All fuse clips are made of high conductivity tin-plated copper.

Features/Benefits:

- UL approved for use with 90°C temperature rated conductors
Box and/or stud wire terminals available
- UL Listed to UL's standard for photovoltaic fuseholders

Applications:

- Re-combiner box (sub-combiner, array combiner, master combiner) applications
- Inverter DC input
- Battery charge controllers

Recommended Fuse Usage:

Mersen HP6J series HelioProtection photovoltaic fuses



Ratings:

- Volts** : 1000VDC
- Amps** : 100A, 200A
: 400A, 600A
- SCCR** : 100kA

Catalog Numbers

Box to Box Terminal Configuration, 1-POLE						
Ampere Rating	Clip Configuration	Wire Range	Wire Type	Stud Type	Catalog Number	Temperature Rating of Wire Terminal
100	In-line	2/0 - #6	Cu	—	61006HPJ	90°C
200	Side	350kcmil - #6	Al/Cu	—	62001HPJ	
400	In-line	(2) 350kcmil - #6		—	64031HPJ	
600	In-line	(2) 500kcmil - #4		—	6631HPJ	
Box to Stud Terminal Configuration, 1-POLE						
Ampere Rating	Clip Configuration	Wire Range	Wire Type	Stud Type	Catalog Number	Temperature Rating of Wire Terminal
100	In-line	2/0 - #6	Cu	1/4-20	61041HPJ	90°C
200	Side	350kcmil - #6	Al/Cu	5/16-18	62041HPJ	
400	In-line	(2) 350kcmil - #6		3/8-16	64041HPJ	
600	In-line	(2) 500kcmil - #4		1/2-13	6641HPJ	
Stud to Stud Terminal Configuration, 1-POLE						
Ampere Rating	Clip Configuration	Wire Range	Wire Type	Stud Type	Catalog Number	Temperature Rating of Wire Terminal
100	In-line	—	Al/Cu	1/4-20	61016HPJ	N/A
200	Side	—		5/16-18	62011HPJ	
400	In-line	—		3/8-16	64011HPJ	
600	In-line	—		1/2-13	6611HPJ	

Approvals:

- UL Listed to Standard 4248-18
- CSA Component Certified C22.2

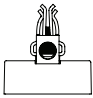
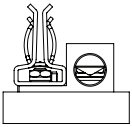
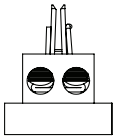
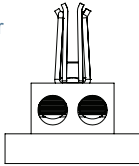
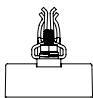
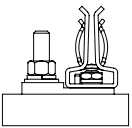
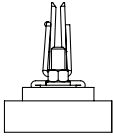
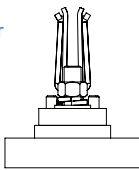


Shah & Shah Enterprise

www.shahent.co.in

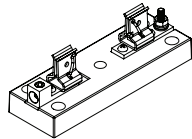
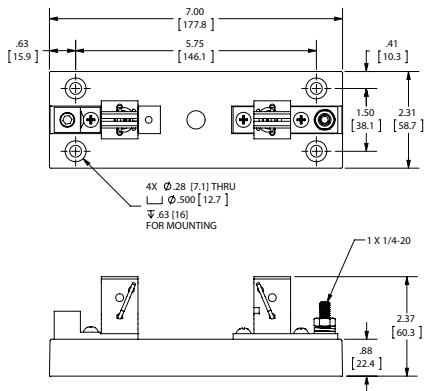
HPJ 1000VDC Class J Open Style Fuseholders

Clip & Connector Types

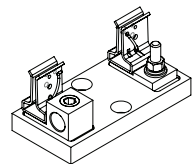
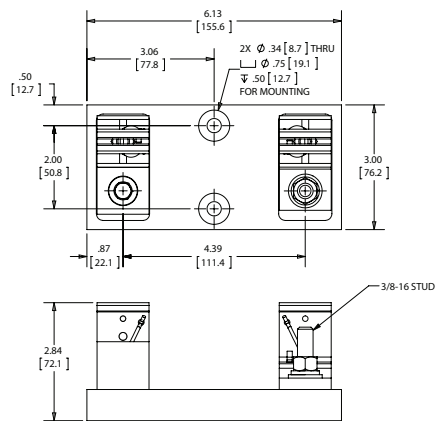
100A	200A	400A	600A
<p>Box Connector</p> 	<p>Box Connector</p> 	<p>Box Connector</p> 	<p>Box Connector</p> 
<p>Stud Connector</p> 	<p>Stud Connector</p> 	<p>Stud Connector</p> 	<p>Stud Connector</p> 

Dimensions*

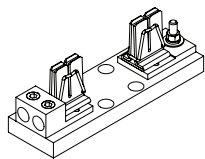
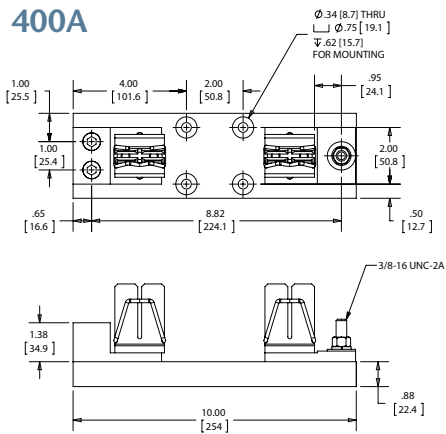
100A



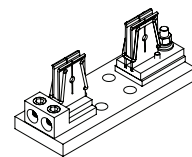
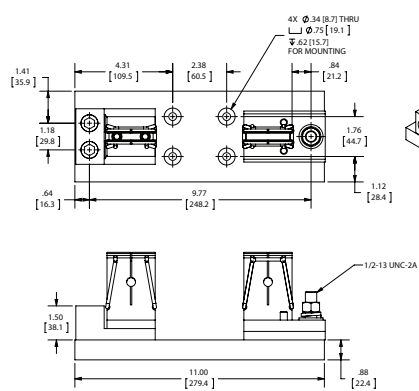
200A



400A



600A



*Box to Stud Terminal configuration shown for reference only. Also available in box-box and stud-stud terminal configurations.