

CLASS H, K & R

250 & 600 Volt Fuse Blocks

250 & 600V Class H, K & R Fuse Blocks

Mersen Class H, K and R fuse blocks accommodate all Class H, K and R 250 and 600V power fuses. A choice of screw, pressure plate, box and special order stud connectors fit a wide range of stranded or solid copper or aluminum wire. Insulators are either molded glass-filled polycarbonate (GFPC) or phenolic with verified dielectric strength in excess of 2500V. 30, 60 and 100A fuse blocks feature a unique adder block which can be snapped onto 1-, 2- or 3-pole blocks to form multi-pole segmented blocks of as many poles as desired. All fuse clips are made of high conductivity tin-plated copper, with a choice of spring reinforced or non-spring reinforced clips in 30A and 60A. Clips 100A and above are spring reinforced.

Recommended Fuse Usage:

Class R Blocks (250V) use with A2D-R, A2K-R, TR-R

Class R Blocks (600V) use with A6D-R, A6K-R, TRS-R

Class H & K Blocks (250V) use with OT, RF, A2Y types 1 & 3 OTN, CRN, NRN

Class H & K Blocks (600V) use with OTS, RFS, A6Y types 1 & 3 CRS, NRS

Clip & Connector Types

| 30A & 60A Clips | Connectors | Connectors |
|---|--|--|
| Spring Reinforced Class R  | Non-Spring Reinforced 30A & 60A Box  | Spring Reinforced 30A & 60A Box  |
| Class H & K  | Non-Spring 30A Screw  | Spring 30A Screw (R)  |
| Non-Spring Reinforced  | Non-Spring 30A Pressure Plate  | Spring 30A Screw  |
| | | Spring Reinforced 30A Pressure Plate  |
| Connectors | | |
| Spring Reinforced 100A Box  | Spring Reinforced 400A Box In-Line Clip  |  |
| Spring 200A Box Side Clip  | Spring 400A Box Side Clip  | |



Ratings:

Volts : 250VAC / DC

: 600VAC / DC

Amps : 30A, 60A, 100A, 200A,
400A, 600A

SCCR: : 10kA with class H fuses
: 50kA with class K fuses
: 200kA with class R fuses

Approvals:

- All fuse blocks meet the requirements of UL 4248
- UL listed, guide IZLT, File E52283
- UL recognized component guide IZLT2, file E52283
- CSA certified class 6225, File 32169



Shah & Shah Enterprise

www.shahent.co.in

CLASS H, K & R 250 & 600 Volt Fuse Blocks

250 Volt, 30 & 60 Ampere Class H, K and R Fuse Blocks

| Ampere Rating | Poles | Connector | | Catalog No. | | | Fig. | Connector Torque In - lb |
|-------------------|-------|----------------|-------------|-----------------------------------|---------------------------|---------------------------|------|--------------------------|
| | | Type | Wire Range | Class H & K Non-Spring Reinforced | Class H K Spring enforced | Class R Spring Reinforced | | |
| 30 GFPC Insulator | ADDER | BOX | Al/Cu #2-14 | 20300 | 20305 | 20305R | 1 | 35 |
| | 1 | | | 20301* | 20306* | 20306R* | 2 | |
| | 2 | | | 20302 | 20307 | 20307R | 3 | |
| | 3 | | | 20303 | 20308 | 20308R | 4 | |
| | ADDER | SCREW | Cu #10-14 | 20310 | 20315 | 20315R | 1 | 20 |
| | 1 | | | 20311* | 20316* | 20316R* | 2 | |
| | 2 | | | 20312 | 20317 | 20317R | 3 | |
| | 3 | | | 20313 | 20318 | 20318R | 4 | |
| | ADDER | PRESSURE PLATE | Cu #10-14 | 20320 | 20325 | 20325R | 1 | 20 |
| | 1 | | | 20321* | 20326* | 20326R* | 2 | |
| | 2 | | | 20322 | 20327 | 20327R | 3 | |
| | 3 | | | 20323 | 20328 | 20328R | 4 | |
| ADDER | BOX | Cu** #4-14 | - | 20355 | 20355R | 1 | 35 | |
| 1 | | | - | 20356* | 20356R* | 2 | | |
| 2 | | | - | 20357 | 20357R | 3 | | |
| 3 | | | - | 20358 | 20358R | 4 | | |
| 60 GFPC Insulator | ADDER | BOX | Al/Cu #2-14 | 20600 | 20605 | 20605R | 5 | 45 |
| | 1 | | | 20601 | 20606 | 20606R | 6 | |
| | 2 | | | 20602 | 20607 | 20607R | 7 | |
| | 3 | | | 20603 | 20608 | 20608R | 8 | |
| | ADDER | BOX | Cu** #4-14 | - | 20655 | 20655R | 5 | 45 |
| | 1 | | | - | 20656 | 20656R | 6 | |
| | 2 | | | - | 20657 | 20657R | 7 | |
| | 3 | | | - | 20658 | 20658R | 8 | |

Note: To convert 30A adder pole to single pole, use end barrier #U09322. To convert 60A adder pole to single pole, use end barrier #U09365.

* 1-pole, 30A block does not accept adder pole.

** Fuse blocks have copper box connectors and clips and are for copper wires only. These are specifically designed with the same coefficient of expansion as copper wire for improved heat cycling and meet or exceed OEM "no aluminum" specifications.

Recommended mounting screws for all 30A and 60A fuse blocks: #10 (.190" dia.)

Dimensions

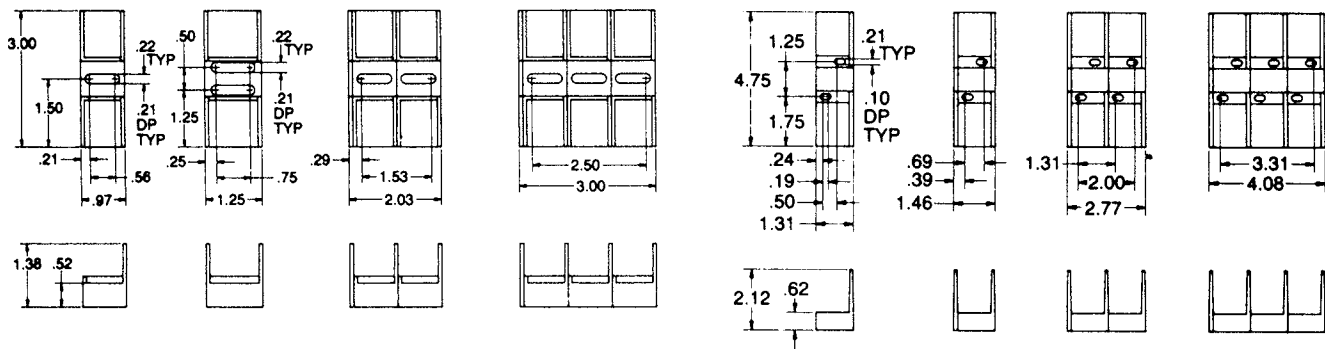


Figure 1

Figure 2

Figure 3

Figure 4

Figure 5

Figure 6

Figure 7

Figure 8

CLASS H, K & R 250 & 600 Volt Fuse Blocks

250 Volt, 100 & 200 Ampere Class H, K and R Fuse Blocks

| Ampere Rating | Poles | Connector | | Catalog No. | | Fig. | Connector Torque In - lb |
|------------------------------|-------|---------------|-----------------|-------------------------------|---------------------------|------|--------------------------|
| | | Type | Wire Range | Class H & K Spring Reinforced | Class R Spring Reinforced | | |
| 100 GFPC Insulator | ADDER | Box | Al/Cu 2/0-#6 | 21035 | 21035R | 1 | 120 |
| | 1 | | | 21036 | 21036R | 2 | |
| | 2 | | | 21037 | 21037R | 3 | |
| | 3 | | | 21038 | 21038R | 4 | |
| | ADDER | Box | Cu* 2/0-#12 | 21005 | 21005R | 1 | 50 |
| | 1 | | | 21006 | 21006R | 2 | |
| | 2 | | | 21007 | 21007R | 3 | |
| 200 Phenolic Insulator | 1 | Box Side-Clip | AL/Cu | 22001 | 22001R | 5 | 375 |
| | 3 | Clip | 350kcmil-#6 | 22003 | 22003R | 6 | |
| | 1 | Box Side-Clip | Cu* | 22051 | 22051R | 5 | 275 |
| | 3 | Clip | 350kcmil-#6 | 22053 | 22053R | 6 | |

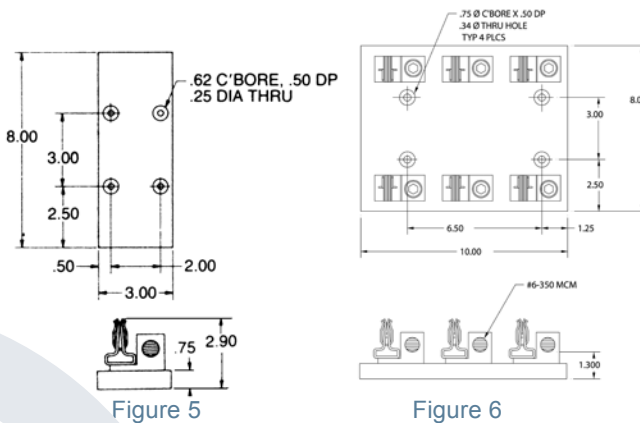
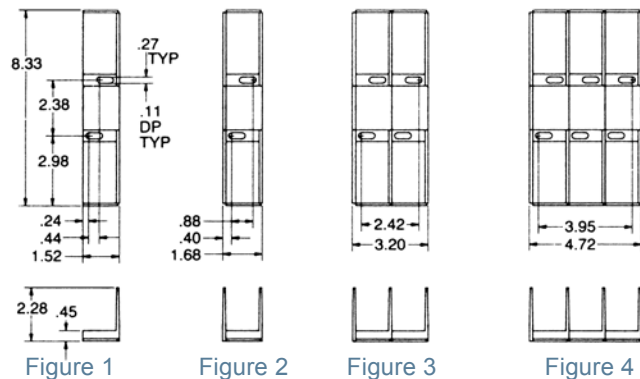
Note: To convert 100A adder pole to single pole, use end barrier #U09363.

*Fuse blocks have copper box connectors and clips and are for copper wires only. These are specifically designed with the same coefficient of expansion as copper wire for improved heat cycling and meet or exceed OEM "no aluminum" specifications.

Recommended mounting screws:

- All 100A-1/4" (.250" dia.)
- 200A, 1-pole - #10 (.190" dia.)
- 200A, 3-pole - 5/16" (.313" dia.)

Dimensions



CLASS H, K & R 250 & 600 Volt Fuse Blocks

250 Volt, 400 & 600 Ampere Class H, K and R Fuse Blocks

| Ampere Rating | Poles | Connector | | Catalog No. | | Fig. | Connector Torque In - lb |
|------------------------------|--------------|-----------------|-----------------|-------------------------------|---------------------------|------|--------------------------|
| | | Type | Wire Range | Class H & K Spring Reinforced | Class R Spring Reinforced | | |
| 400 Phenolic Insulator | 1 | Box* | Al/Cu | 24001 | 24001R | 1 | 375 |
| | 3 | Side-Clip | 1000-250kcmil | 24003 | 24003R | 2 | |
| | 1 | Box* | Cu** | 24051 | 24051R | 1 | 375 |
| | 3 | Side-Clip | 1000-250kcmil | 24053 | 24053R | 2 | |
| | 1 | Box | Al/Cu | 24031 | 24031R | 3 | 275 |
| | 3 | In-Line Clip | (2) 350kcmil-#4 | 24033 | 24033R | 4 | |
| 1 | Box | Al/Cu | 24061 | 24061R | 3 | 275 | |
| 3 | In-Line Clip | (2) 350kcmil-#6 | 24033 | 24033R | 4 | | |
| 600 Phenolic Insulator | 1 | Box | Al/Cu | 2631 | 2631R | 5 | 500 |
| | 3 | In-Line Clip | (2) 500kcmil-#4 | 2633 | 2633R | 6 | |
| | 1 | Box | Cu** | 2661 | 2661R | 5 | 375 |
| | 3 | In-Line Clip | (2) 500kcmil-#4 | 2663 | 2663R | 6 | |

*Not UL Listed or CSA Certified

**Fuse blocks have copper box connectors and clips and are for copper wires only. These are specifically designed with the same coefficient of expansion as copper wire for improved heat cycling and meet or exceed OEM "no aluminum" specifications.

Recommended mounting screws for all 400A and 600A fuse blocks: 5/16 (.313" dia.)

Dimensions

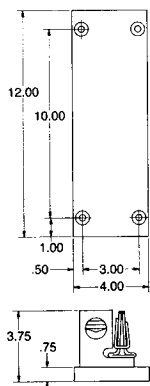


Figure 1

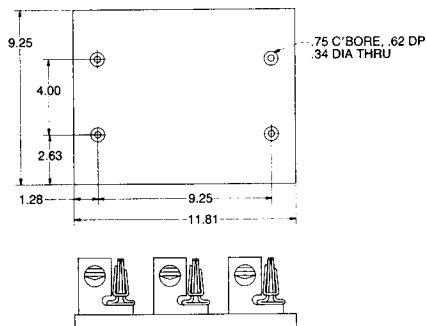


Figure 2

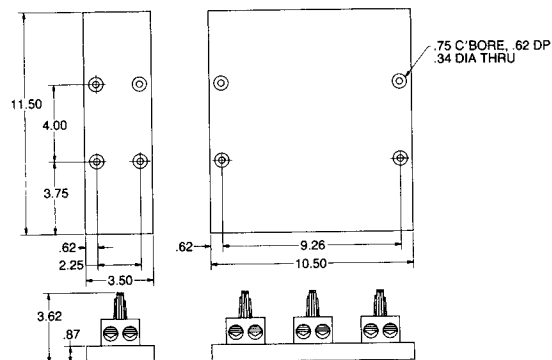


Figure 3

Figure 4

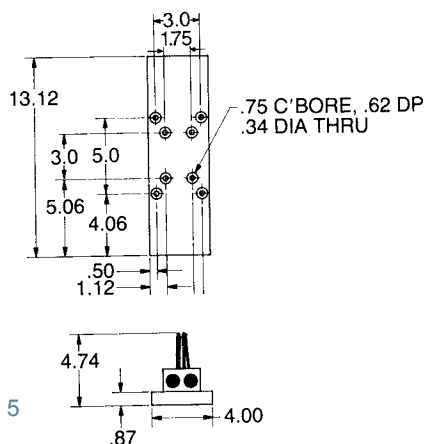


Figure 5

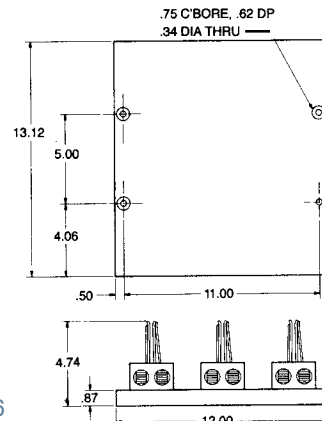


Figure 6

CLASS H, K & R 250 & 600 Volt Fuse Blocks

600 Volt, 30 & 60 Ampere Class H, K and R Fuse Blocks

| Ampere Rating | Poles | Connector | | Catalog No. | | | Fig. | Connector Torque In - lb |
|-------------------------|----------------------|-------------------|----------------|-----------------------------------|-------------------------------|---------------------------|------|--------------------------|
| | | Type | Wire Range | Class H & K Non-Spring Reinforced | Class H & K Spring Reinforced | Class R Spring Reinforced | | |
| 30 GFPC Insulator | ADDER 1 2 3 | Box | Al/Cu #2-14 | 60300 | 60305 | 60305R | 1 | 35 |
| | | | | 60301 | 60306 | 60306R | 2 | |
| | | | | 60302 | 60307 | 60307R | 3 | |
| | | | | 60303 | 60308 | 60308R | 4 | |
| | ADDER 1 2 3 | Screw | Cu #10-14 | 60310 | 60315 | 60315R | 1 | 20 |
| | | | | 60311 | 60316 | 60316R | 2 | |
| | | | | 60312 | 60317 | 60317R | 3 | |
| | | | | 60313 | 60318 | 60318R | 4 | |
| | ADDER 1 2 3 | Pressure Plate | Cu #10-14 | 60320 | 60325 | 60325R | 1 | 20 |
| | | | | 60321 | 60326 | 60326R | 2 | |
| | | | | 60322 | 60327 | 60327R | 3 | |
| | | | | 60323 | 60328 | 60328R | 4 | |
| | ADDER 1 2 3 | Box | Cu* #4-14 | - | 60355 | 60355R | 1 | 35 |
| | | | | - | 60356 | 60356R | 2 | |
| | | | | - | 60357 | 60357R | 3 | |
| - | | | | 60358 | 60358R | 4 | | |
| 60 GFPC Insulator | ADDER 1 2 3 | Box | Al/Cu #2-14 | 60600 | 60605 | 60605R | 1 | 45 |
| | | | | 60601 | 60606 | 60606R | 2 | |
| | | | | 60602 | 60607 | 60607R | 3 | |
| | | | | 60603 | 60608 | 60608R | 4 | |
| | ADDER 1 2 3 | Box | Cu* #4-14 | - | 60655 | 60655R | 1 | 45 |
| | | | | - | 60656 | 60656R | 2 | |
| | | | | - | 60657 | 60657R | 3 | |
| | | | | - | 60658 | 60658R | 4 | |

Note: To convert 30A or 60A adder pole to single pole, use end barrier #U09361.

* Fuse blocks have copper box connectors and clips and are for copper wires only. These are specifically designed with the same coefficient of expansion as copper wire for improved heat cycling and meet or exceed OEM "no aluminum" specifications.

Recommended mounting screws for all 30A and 60A fuse blocks: 1/4" (.250" dia.)

Dimensions

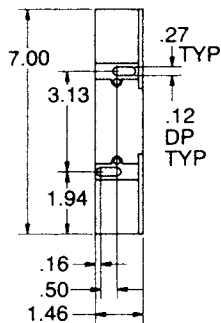


Figure 1

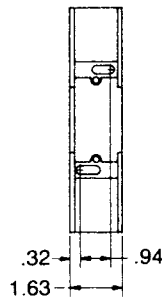


Figure 2

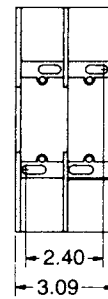


Figure 3

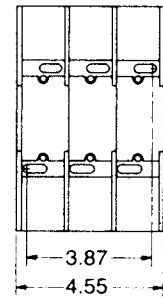
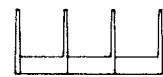
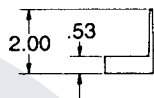


Figure 4



Shah & Shah Enterprise

www.shahent.co.in

CLASS H, K & R 250 & 600 Volt Fuse Blocks

600 Volt, 100 & 200 Ampere Class H, K and R Fuse Blocks

| Ampere Rating | Poles | Connector | | Catalog No. | | Fig. | Connector Torque In - lb |
|------------------|-----------------|------------------|----------------------|-------------------------------|---------------------------|------|--------------------------|
| | | Type | Wire Range | Class H & K Spring Reinforced | Class R Spring Reinforced | | |
| 100 Insulator | ADDER 1 3 | Box | Al/Cu 2/0-#6 | 61035 | 61035R | 1 | 120 |
| | | | | 61036 | 61036R | 2 | |
| | | | | 61038 | 61038R | 3 | |
| | ADDER 1 3 | Box | Cu* 2/0-#12 | 61005 | 61005R | 1 | 50 |
| | | | | 61006 | 61006R | 2 | |
| | | | | 61008 | 61008R | 3 | |
| 200 Insulator | 1 3 | Box Side-Clip | Al/Cu 350kcmil-#6 | 62001 | 62001R | 4 | 375 |
| | | | | 62003 | 62003R | 5 | |
| | 1 3 | Box Side-Clip | Cu* 350kcmil-#6 | 62051 | 62051R | 4 | 275 |
| | | | | 62053 | 62053R | 5 | |

* Fuse blocks have copper box connectors and clips and are for copper wires only. These are specifically designed with the same coefficient of expansion as copper wire for improved heat cycling and meet or exceed OEM "no aluminum" specifications.

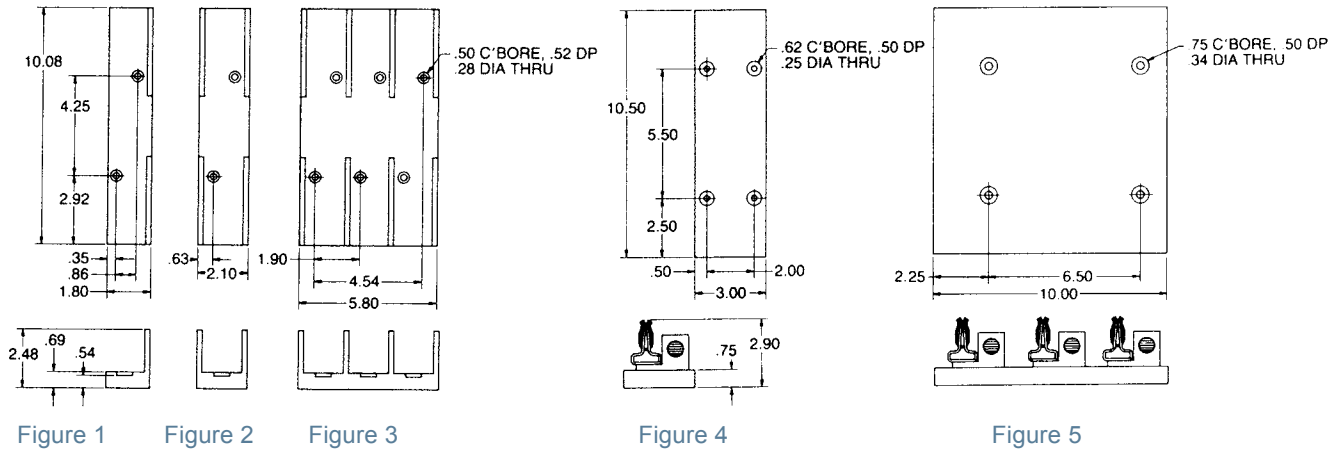
Recommended mounting screws:

All 100A-1/4" (.250" dia.)

200A, 1-pole - #10 (.190" dia.)

200A, 3-pole - 5/16" (.313" dia.)

Dimensions



Shah & Shah Enterprise

www.shahent.co.in

CLASS H, K & R 250 & 600 Volt Fuse Blocks

600 Volt, 400 & 600 Ampere Class H, K and R Fuse Blocks

| Ampere Rating | Poles | Connector | | Catalog No. | | Fig. | Connector Torque In - lb |
|------------------------------|-------|--------------|-----------------|-------------------------------|---------------------------|------|--------------------------|
| | | Type | Wire Range | Class H & K Spring Reinforced | Class R Spring Reinforced | | |
| 400 Phenolic Insulator | 1 | Box* | Al/Cu | 64001 | 64001R | 1 | 375 |
| | 3 | Side-Clip | 1000-250kcmil | 64003 | 64003R | 2 | |
| | 1 | Box* | Cu** | 64051 | 64051R | 1 | 375 |
| | 3 | Side-Clip | 1000-250kcmil | 64053 | 64053R | 2 | |
| | 1 | Box | Al/Cu | 64031 | 64031R | 3 | 275 |
| | 3 | In-Line Clip | (2) 350kcmil-#4 | 64033 | 64033R | 4 | |
| 600 Phenolic Insulator | 1 | Box | Al/Cu | 6631 | 6631R | 5 | 500 |
| | 3 | In-Line Clip | (2) 500kcmil-#4 | 6633 | 6633R | 6 | |
| | 1 | Box | Cu** | 6661 | 6661R | 5 | 375 |
| | 3 | In-Line Clip | (2) 500kcmil-#4 | 6663 | 6663R | 6 | |

*Not UL Listed or CSA Certified

**Fuse blocks have copper box connectors and clips and are for copper wires only. These are specifically designed with the same coefficient of expansion as copper wire for improved heat cycling and meet or exceed OEM "no aluminum" specifications.

Recommended mounting screws for all 400A and 600A fuse blocks: 5/16 (.313" dia.)

Dimensions

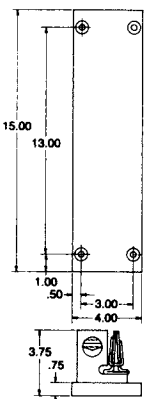


Figure 1

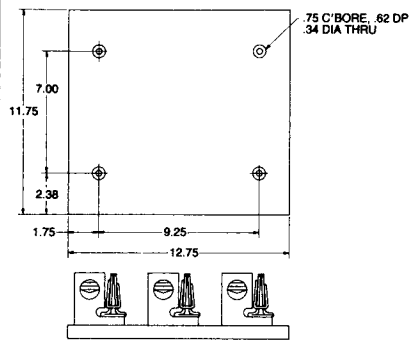


Figure 2

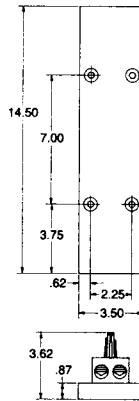


Figure 3

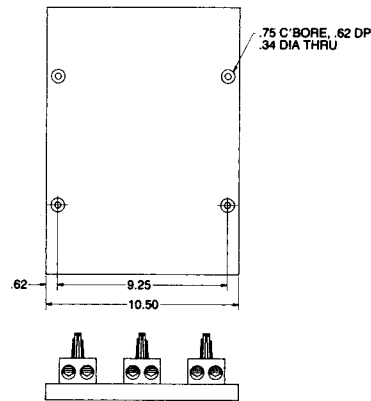


Figure 4

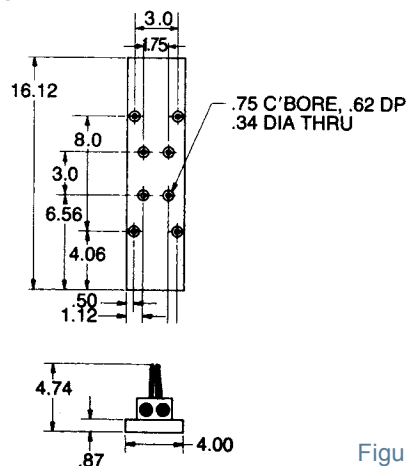


Figure 5

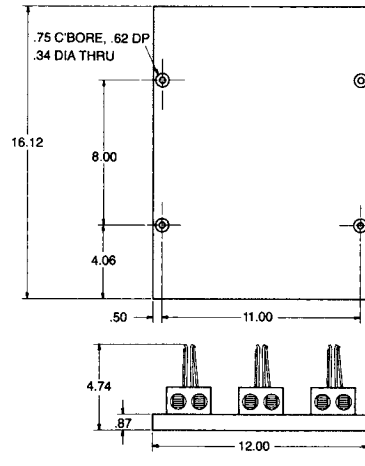


Figure 6