

FUSE CLIPS

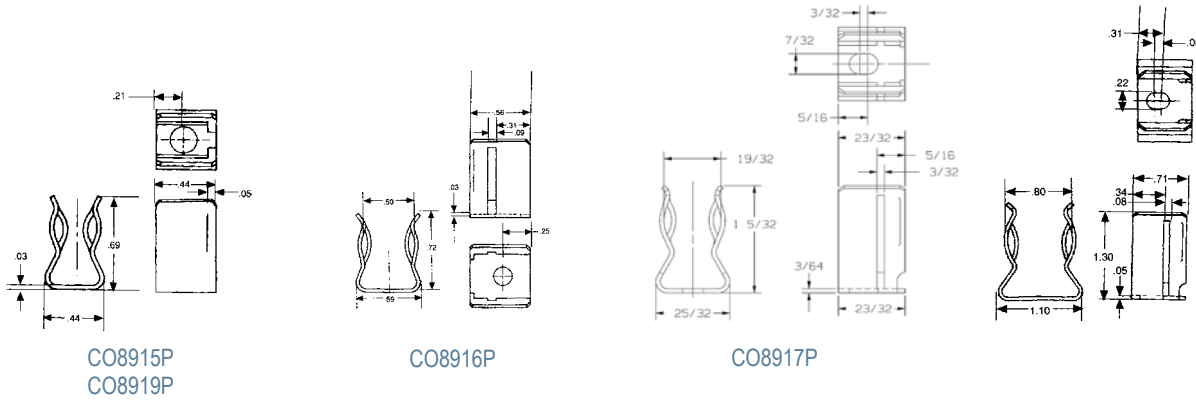
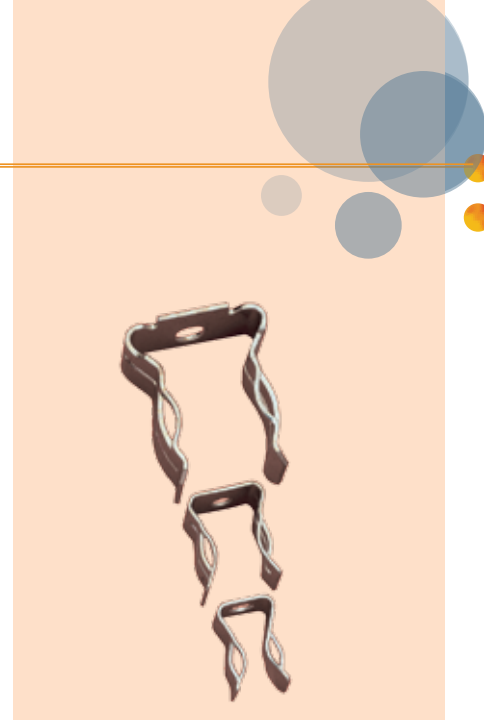
For Ferrule Fuses/PC Board Mount

30A & 60A Ferrule - Fuse Clips

Fuse Clips for 30 & 60 Ampere Ferrule-type Fuses

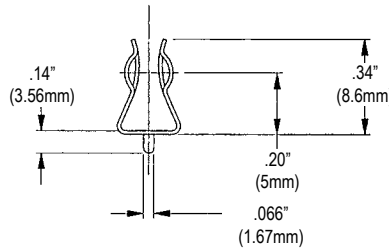
Cat. No.	For Fuse Rating/Size			Mounting Details	
	Volts	Amps (max)	Ferrule Dia.	Hole Size	Screw Size
C08915P	600	30	13/32"	.72 dia.	#8
C08919P	600	30	13/32"	.196 dia.	#10
C08916P	250	30	9/16"	.172 dia.	#8
C08917P	250	60	13/16"	.22 X .30"	#10
	600	30	13/16"	.22 X .30"	#10
C08918P	600	60	1-1/16"	.22 X .30"	#10

All clips are UL recognized: guide IZLT2, file E52283
 All clips are tin-plated copper alloy, non-spring reinforced.



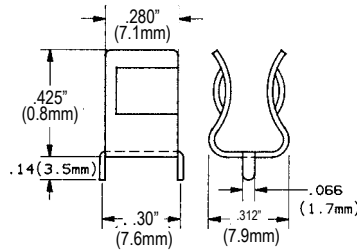
SDC5 PC BOARD clips

- PC board mount fuse clip
- For 5mm diameter fuses
- Tin plated hard brass



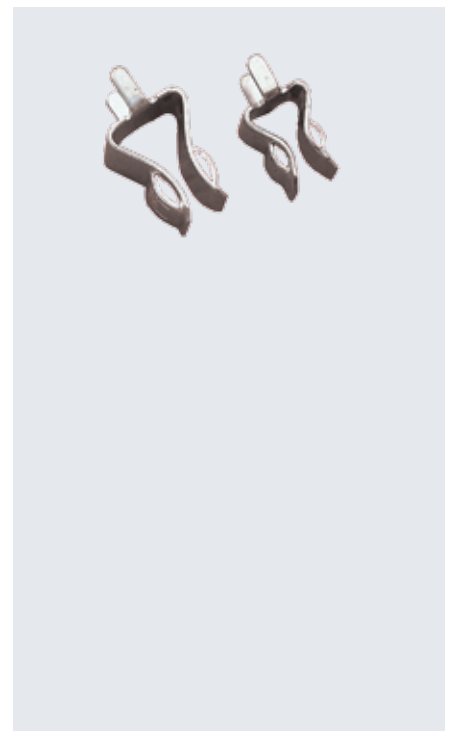
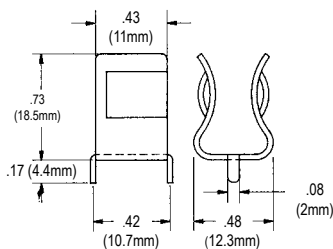
SDC6 PC BOARD clips

- PC board mount fuse clip
- For 1/4" diameter fuses
- Tin plated hard brass



SDC7 PC BOARD clips

- PC board mount fuse clip
- For 13/32" diameter fuses
- Tin plated hard brass



Shah & Shah Enterprise

www.shahent.co.in