

PS 20x127 Ferrule Fuse Holders and No-Load Disconnectors

Highlights:

- Solid assembly offers good thermal and mechanical withstand rating
- Fuse mounting in holders or no-load disconnectors with or without open fuse indicating microswitches
- Phenolic resin models for basic applications, fiber-glass polyester for applications in corrosive atmospheres or applications for traction
- Voltage = 1,500 V and 2,500 V

Dielectric withstand tests

	R.M.S. voltage 1 mn 50/60 Hz	Impulse voltage 1.2/50 s (IEC 694 et CEI 60)
Between close phases and phase and ground	6kV(1) - 10 kV(2)	12 kV(1) - 20 kV(2)
Between phases and microswitch	12 kV	

Connecting with 16mm² max. width, 5mm max. thick terminal

(1) Basic model

Max. temperature (°C)/ Relative humidity (%): 20 °C/95% - 40°C/80% - 50°C/50%

(2) Salt spray-proof model

Moist tropical and equatorial climate or corrosive atmosphere.



Ratings:

Volts	: 1,500V
	: 2,500V
SCCR	: 42kA AC
	: 55kA DC

Approvals:

- UL Recognized component
File E113357



Dimensions

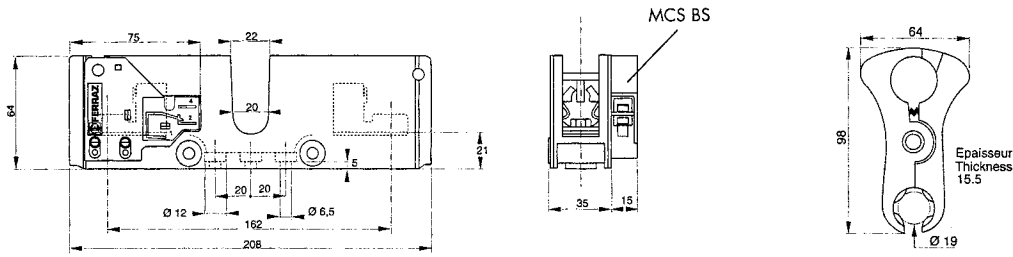
Description	Insulation voltage rating Ui AC 50/60 Hz or DC	Fuse current rating I _N (A)	Maximum operating current of fuse (A)					Advised copper wire size mm ²	Fire and fumes class NF F 16-101 and 102 and UL
			1000 V gLB	=1000 V gRC	=1000 V gRB	=1500 V gRB	=1500 V gRD		
PSI 20X127	1500 V without terminal covers	50		50	No Operating Limit			10	basic model 12-F1 UL 94 V1
PSII 20X127 PRE	2500 V with terminal covers and only salt spray-proof model	63	80	56				16	
PSIII 20X127 PRE		80	90	25				salt spray-proof model I1 - F1 UL 94 VO	
PSIV 20X127 PRE		100	100	35					
PSIV 20X127 PRE		125		50					

Connecting with 50 mm² max. cable with copper terminals or with a 15 x 8 max. rigid or flexible bar.

PS 20x127

Ferrule Fuse Holders and No-Load Disconnectors

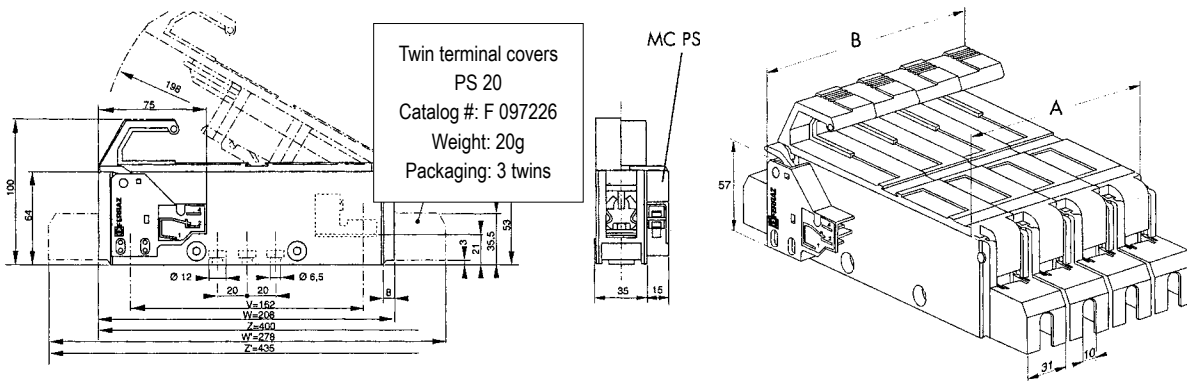
Fuse Holders and Accessories



Description	Catalog No.	Weight (g)	Packaging
PSI 20x127	X 097310	260	3 pieces
PSI 20x127 + MCS BS	X 220130	290	2 pieces

PMCP 20+22
Catalog #: K 100036
Weight: 40g
Packaging: 1

Fuse non-load Disconnectors and Accessories



V: Connecting distance between centers
W: Clip for rail mounting in two positions
W': With terminal cover length
Y: Space factor with a 90° fuse carrier position
Z: Without terminal cover, space factor with a 180° fuse

carrier position
Z': With terminal cover, space factor with 180° fuse carrier position

Description (basic model)	Catalog No.
PSI 20x127 PRE	F097203
PSII 20x127 PRE	G097227
PSIII 20x127 PRE	H097228
PSIV 20x127 PRE	J097229
PSI 20 x 127 PRE+MC PS	H097205
PSII 20 x 127 PRE+MC PS	D097293
PSIII 20 x 127 PRE+MC PS	E097294
PSIV 20 x 127 PRE+MC PS	F097295

No. of Poles	A	B
1	35	50
2	69	84
3	103	118
4	137	152

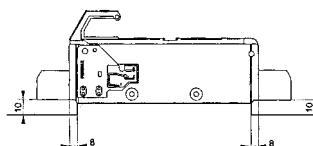
Preisolating and blown fuse indicating microswitch features	
Microswitch rated current	Non-inductive circuit interrupting rating
3A - 50 Hz	3A - 50 Hz
3A - DC	3A - DC

Reliable minimum operating voltage/current:

10V - 10mA

Connecting with 6.35 mm lug

Distances when mounting on a conductive board @ $U_i = 2500$ VAC



Description (salt spray-proof model)	Ref. No.
PSI 20x127 PRE BS	G097204
PSII 20x127 PRE BS	L097231
PSIII 20x127 PRE BS	T097261
PSIV 20x127 PRE BS	C097292
PSI 20 x 127 PRE BS+MC PS	J097206
PSII 20 x 127 PRE BS+MC PS	G097296
PSIII 20 x 127 PRE BS+MC PS	H097297
PSIV 20 x 127 PRE BS+MC PS	J097298



Shah & Shah Enterprise

www.shahent.co.in