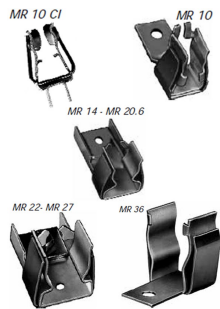


Clips for Cylindrical fuses IEC

Ø sizes 10, 14, 20, 22, 27, 36, 45, 55

FUSE HOLDERS, FUSE BASES AND SUPPORTS

FUSE CLIPS



Mersen offers an extensive offer of fuse clips for low voltage and high voltage cylindrical fuses

They match perfectly our selection of fuses. They are designed to mount easily, to save space and provide tight contact.

You can choose from a wide range of traditional and space-saving fuse blocks, fuse clips and fuse holders.

TECHNICAL DATA OVERVIEW

| | |
|-------------------|--------------------------------------|
| Ampere Range (A) | 1 ... 250 A |
| Size per Standard | For Ø 10, 14, 20, 22, 27, 36, 45, 55 |

FEATURES & BENEFITS

- Silver plated copper clips: extremely high thermal and electric conductivity (except nickel plated copper for MR20)
- Stainless steel pressure springs: highly resistant to salt spray
- Screwing on isolators mounting type
- Screwing on bars or insulated bars mounting type
- Welding on P.C.B. mounting type (MR 10 CI)



MERSEN reserves the right to change, update or correct, without notice, any information contained in this datasheet.

Clips for Cylindrical fuses IEC

Ø sizes 10, 14, 20, 22, 27, 36, 45, 55

PRODUCT RANGE

MR 10 and MR 10 CI

| Catalog number | Item number | Rated current I _n | Maximum RMS continuous current through IN rated current fuses | Recommended copper cable section | Package | Weight |
|----------------|-------------|------------------------------|---|----------------------------------|---------|--------|
| MR10RESSORT | B098004 | 32 A | 32 A | 6 mm ² | 20 | 7 g |
| MR10CIRESSORT | Y098507 | 32 A | 32 A | 6 mm ² | 1000 | 4.5 g |
| MR10RESSORTSP | C098994 | 32 A | 32 A | 6 mm ² | 20 | 5.7 g |

MR 14

| Catalog number | Item number | Rated current I _n | Maximum RMS continuous current through IN rated current fuses | Recommended copper cable section | Package | Weight |
|----------------|-------------|------------------------------|---|----------------------------------|---------|--------|
| MR14SPRING | G098170 | 63 A | 63 A | 10 mm ² | 10 | 16 g |

MR 20

| Catalog number | Item number | Rated current I _n | Maximum RMS continuous current through IN rated current fuses | Recommended copper cable section | Package | Weight |
|----------------|-------------|------------------------------|---|----------------------------------|---------|--------|
| MR20RESSORT | H099988 | 125 A | 125 A | 35 mm ² | 20 | 40 g |

MR 22

| Catalog number | Item number | Rated current I _n | Maximum RMS continuous current through IN rated current fuses | Recommended copper cable section | Package | Weight |
|----------------|-------------|------------------------------|---|----------------------------------|---------|--------|
| MR22SPRING | K098909 | 135 A | 135 A | 35 mm ² | 20 | 40 g |

MR 27

| Catalog number | Item number | Rated current I _n | Maximum RMS continuous current through IN rated current fuses | Recommended copper cable section | Package | Weight |
|----------------|-------------|------------------------------|---|----------------------------------|---------|--------|
| MR27RESSORT | Y092734 | 250 A | 250 A | 120 mm ² | 20 | 50 g |

MR 36

| Catalog number | Item number | Rated current I _n | Maximum RMS continuous current through IN rated current fuses | Recommended copper cable section | Package | Weight |
|----------------|-------------|------------------------------|---|----------------------------------|---------|--------|
| MR36R | M091275 | 250 A | 250 A | 120 mm ² | 1 | 85 g |

MR 45

| Catalog number | Item number | Rated current I _n | Maximum RMS continuous current through IN rated current fuses | Recommended copper cable section | Package | Weight |
|----------------|-------------|------------------------------|---|----------------------------------|---------|---------|
| MR45R | L096472 | 315 A | 315 A | 185 mm ² | 1 | 0.44 kg |
| MR45SPL | S210236 | 315 A | 315 A | 185 mm ² | 1 | 0.23 kg |

MR 55

| Catalog number | Item number | Rated current I _n | Maximum RMS continuous current through IN rated current fuses | Recommended copper cable section | Package | Weight |
|----------------|-------------|------------------------------|---|----------------------------------|---------|---------|
| MR55R | L078969 | 315 A | 315 A | 185 mm ² | 1 | 0.45 kg |

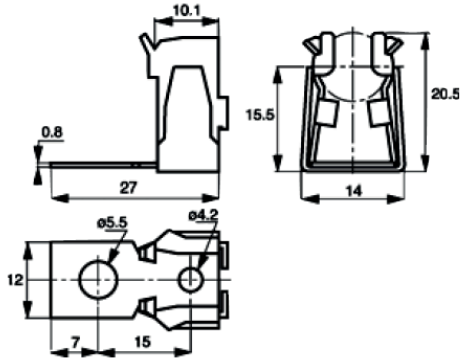


Clips for Cylindrical fuses IEC

Ø sizes 10, 14, 20, 22, 27, 36, 45, 55

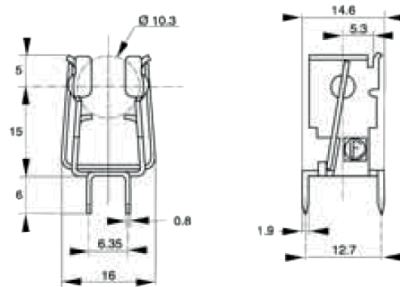
DIMENSIONS

MR10RESSORT



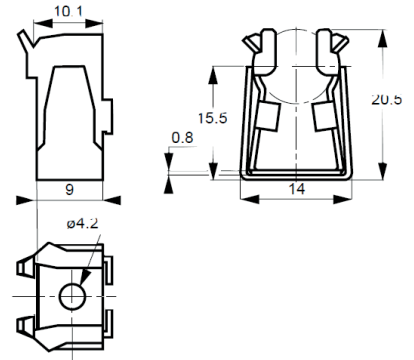
Dimensions in mm

MR10CIRESSORT



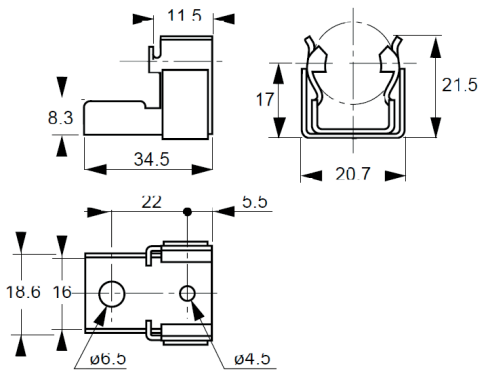
Dimensions in mm

MR10RESSORTSP



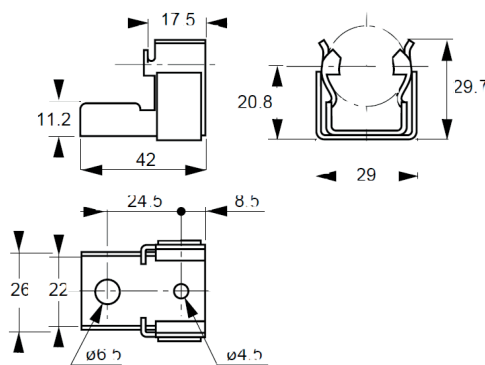
Dimensions in mm

MR14SPRING



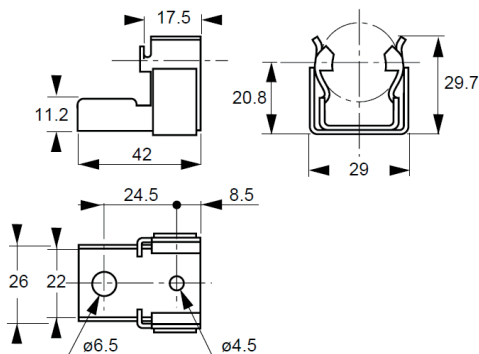
Dimensions in mm

MR20.6RESSORT



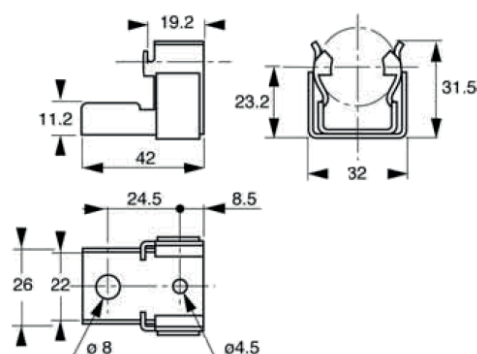
Dimensions in mm

MR22SPRING



Dimensions in mm

MR27RESSORT



Dimensions in mm

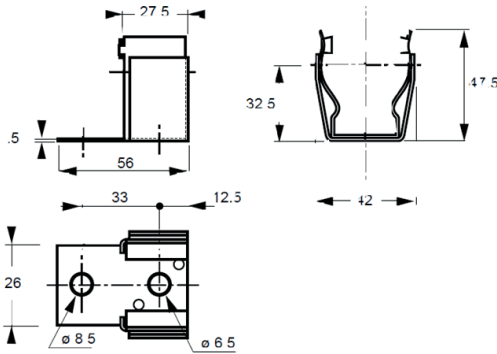


Clips for Cylindrical fuses IEC

Ø sizes 10, 14, 20, 22, 27, 36, 45, 55

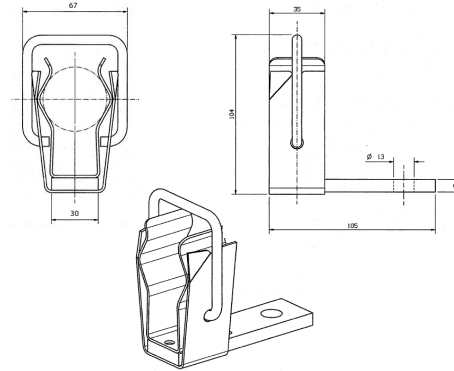
DIMENSIONS

MR36R



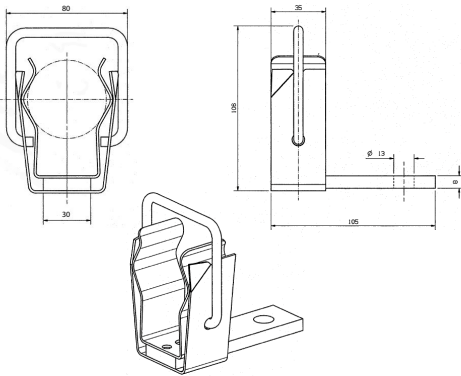
Dimensions in mm

MR45



Dimensions in mm

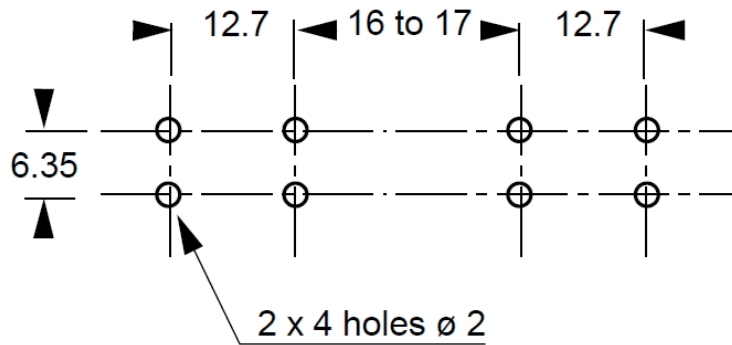
MR55



Dimensions in mm

Mouting Instructions

P.C.B. Drilling for MR10 CI clip (10x38 size fuse)



Dimensions in mm

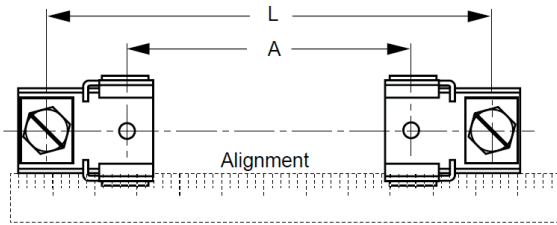


Clips for Cylindrical fuses IEC

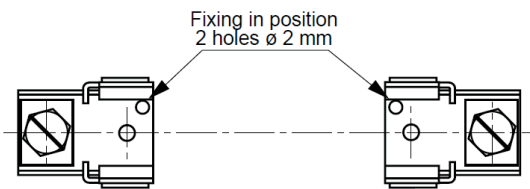
Ø sizes 10, 14, 20, 22, 27, 36, 45, 55

DIMENSIONS

Clip Mounting



| Fuse size | A | L |
|-----------|-----|-----|
| 10 x 38 | 31 | 61 |
| 10 x 180 | 173 | 203 |
| 36 x 127 | 100 | 166 |
| 36 x 190 | 165 | 231 |
| 36 x 250 | 223 | 289 |
| 45 x 192 | 228 | 363 |
| 45 x 292 | 328 | 463 |
| 45 x 367 | 403 | 538 |
| 45 x 442 | 478 | 613 |
| 45 x 537 | 573 | 708 |
| 55 x 259 | 228 | 363 |
| 55 x 520 | 489 | 624 |



Mounting of two elastic stop pins of 2 mm dia. for fixing clips in position

Dimensions in mm