



Gears & Fuse Gears

Semiconductor Fuses AC+DC Ferrule Fuse Holders PS 20 x 127



PSI 20x127+MC PS

FUSE HOLDERS AND FUSE DISCONNECTORS FOR FERRULE-TYPE FUSES 20x127

- SOLID ASSEMBLY OFFERING GOOD THERMAL AND MECHANICAL WITHSTANDS
- FUSE MOUNTING IN HOLDERS OR DISCONNECTORS WITH OR WITHOUT PREISOLATING AND BLOWN-FUSE INDICATING MICROSWITCHES
- PHENOLIC RESIN MODELS FOR BASIC APPLICATIONS FIBER-GLASS POLYESTER FOR APPLICATIONS IN CORROSI-VE ATMOSPHERES OR IN TRACTION
- $U_i = 1,500 \text{ V}$ AND $2,500 \text{ V}$

Main Characteristics

Designation	Insulation voltage rating U_i AC 50/60 Hz or DC	Fuse current rating I_N (A)	1000 V	=1000 V	AC1000V	AC1500V	AC1500V	Advised copper wire size mm^2	Fire and fumes class
			gLB	gRC	gRB	gRB	gRD		
PSI 20x127	1500 V without terminal covers 2500 V with terminal covers and only salt spray-proof model	50		50	no operating limit			10	basic model UL 94 V1 salt spray-proof model UL 94 V0
PSI 20x127 PRE		63		56				16	
PSII 20x127 PRE		80	80					25	
PSIII 20x127 PRE		100	90					35	
PSIV 20x127 PRE		125	100					50	

Connecting with 50 mm^2 max. cable with copper terminals or with a 15×8 max. rigid or flexible bar.

(1) Basic model

Max. temperature ($^{\circ}\text{C}$)/ Relative humidity (%): $20^{\circ}\text{C}/95\% - 40^{\circ}\text{C}/80\% - 50^{\circ}\text{C}/50\%$

If Holder has to be kept off, and an heating system fed during stop periods must be used. Purpose is to keep the temperature of cubicle at a level just a little higher than outdoor temperature.

(2) Salt spray-proof model (BS type)

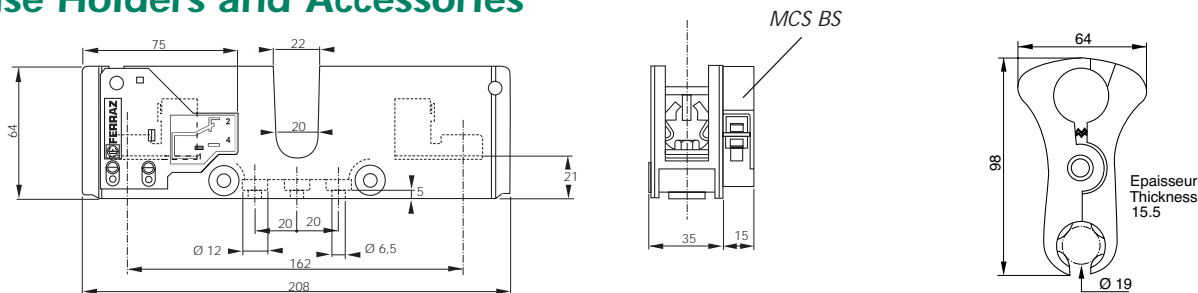
Moist tropical and equatorial climate. Corrosive atmosphere.

Dielectric withstand tests

	R.M.S. voltage 1 mn 50/60 Hz	Impulse voltage 1.2/50 μs (IEC694 et CEI 60)
Between close phases and phase and mass	6kV(1) - 10 kV(2)	12 kV(1) - 20 kV(2)
Between phases and microswitch	12 kV	

Connecting with 16mm max. width, 5mm max. thick terminal

Fuse Holders and Accessories



Designation	Ref. Number	Catalog Number	Weight (g)	Packaging
PSI 20x127	X 097310	PS201	260	3 pieces
PSI 20x127+MCS BS	X 220130	PS201MCSBS	290	2 pieces

Cat N°: PMC20+22
Ref N°: K 100036
Weight: 40g
Packaging: 1

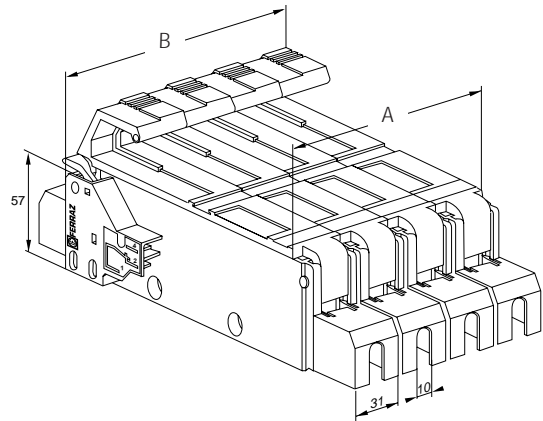
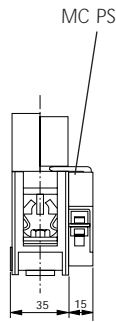
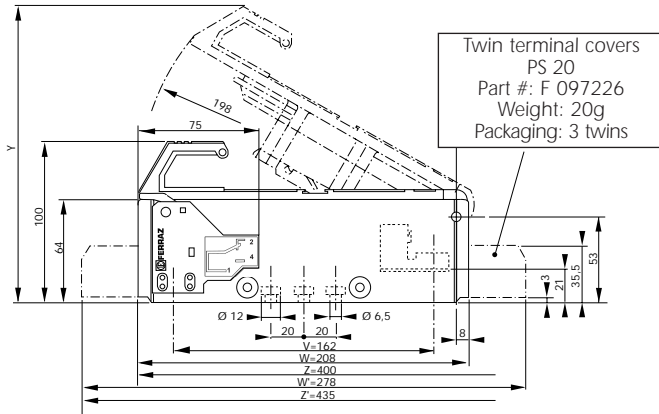




Semiconductor Fuses AC+DC Ferrule Fuse Holders PS 20 x 127

FUSE HOLDERS AND FUSE DISCONNECTORS FOR FERRULE-TYPE FUSES 20x127

Fuse Disconnectors and Accessories



V: Connecting distance between centers
W: Without terminal cover length
W': With terminal cover length
Y: Space factor with a 90° fuse carrier position
Z: Without terminal cover, space factor with a 180° fuse carrier position
Z': With terminal cover, space factor with a 180° fuse carrier position

Quantity of poles	A	B
1	35	50
2	69	84
3	103	118
4	137	152

Designation (basic model)	Ref. Number	Cat. Number	Weight (g)	Packaging
PSI 20x127 PRE	F 097203	PS201PRE	400	3 pieces
PSII 20x127 PRE	G 097227	PS202PRE	800	2 pieces
PSIII 20x127 PRE	H 097228	PS203PRE	1200	1 piece
PSIV 20x127 PRE	J 097229	PS204PRE	1510	1 piece
PSI 20x127 PRE+MC PS	H 097205	PS201PREMCPS	430	2 pieces
PSII 20x127 PRE+MC PS	D 097293	PS202PREMCPS	880	2 pieces
PSIII 20x127 PRE+MC PS	E 097294	PS203PREMCPS	1200	1 piece
PSIV 20x127 PRE+MC PS	F 097295	PS204PREMCPS	1700	1 piece

Preisolating and blown fuse indicating microswitch features	
Microswitch rated current	Non-inductive circuit interrupting rating
3A - 50 Hz	3A - 250V
3A - DC	3A - 30V
	0.5A - 110V

- Reliable minimum operating voltage/current : 10V / 10mA
- Connecting with 6.35 mm lug

Catalog Number (salt spray-proof model)	Ref. Number	Cat. Number	Weight (g)	Packaging
PSI 20x127 PRE BS	G 097204	PS201PREBS	490	3 pieces
PSII 20x127 PRE BS	L 097231	PS202PREBS	1000	2 pieces
PSIII 20x127 PRE BS	T 097261	PS203PREBS	1500	1 piece
PSIV 20x127 PRE BS	C 097292	PS204PREBS	1700	1 piece
PSI 20x127 PRE BS+MC PS	J 097206	PS201PREBSMCPS	520	2 pieces
PSII 20x127 PRE BS+MC PS	G 097296	PS202PREBSMCPS	1030	2 pieces
PSIII 20x127 PRE BS+MC PS	H 097297	PS203PREBSMCPS	1530	1 piece
PSIV 20x127 PRE BS+MC PS	J 097298	PS204PREBSMCPS	1730	1 piece

Distances when mounting on a conductive board @ $U_i = 2500$ VAC

