

MULTIBLOC® 2.RST8

Size 2, 400A, 690VAC, Design for bus bar installation, Triple Pole

IEC FUSE SWITCH DISCONNECTORS

NH FUSE SWITCH DISCONNECTOR



The production programme of MULTIBLOC® 2.RST8 comprises NH fuse switch disconnectors for 400A.

Products are designed in triple pole units for direct installation on to 40 mm and 60 mm bus bar systems.

For installation of MULTIBLOC® NH fuse switch disconnectors of different sizes in distribution units with central cover, respective covers are used to obtain a uniform profile in height and length.

MULTIBLOC® size 2 are designed for NH fuse-links in accordance with IEC/EN 60269-2, VDE 0636-2, size 2: 400A.

The system is a modular system, which allows the installation and combination of individual components. MULTIBLOC® offers the user the possibility of fast and easy installation as well as a high degree of security during installation and maintenance.

TECHNICAL DATA OVERVIEW

Voltage AC	690 VAC
Voltage DC	440 VDC
Amper (A)	400 A
Size per Standard	2
SCCR	Ue = AC 400 V; Ie = 400 A 80kA Ue = AC 500 V; Ie = 400 A 80kA Ue = AC 690 V; Ie = 315 A 80kA
Mounting	bus bar installation
Switchability	triple pole switching

FEATURES & BENEFITS

- Touch protection IP 20 (IP rating maintained if fuse-link in test mode)
- Parking position of switch operating cover even with fuse-links inserted
- Direct installation on to bus bar (snap on)
- Switch still adjustable after being snapped on to busbars and fixed after adjustment
- Universally useable for bus bars with thickness of 5-10mm and widths of 12-30mm
- Symmetrical switch: suitable for bottom/top cable terminal connections
- Cable termination: screw, bolt, clamp strap, extendable for V-terminal - optional
- Electronic or electro-mechanic fuse monitoring - optional
- Cover for touch protection for direct installation on to busbar systems - optional
- Safe on load connection/disconnection: accordance with IEC 60947-3

APPLICATIONS

- Panel boards for industrial use
- Feeder pillars for industrial use
- Meter distribution units
- Measuring transformer cabinets
- Transmitting stations for telecommunications

STANDARDS

- IEC/EN 60 947-3
For NH fuse-links size 2 in accordance with IEC/EN 60269-2, VDE 0636-2



MULTIBLOC® 2.RST8

Size 2, 400A, 690VAC, Design for bus bar installation, Triple Pole

PRODUCT RANGE



1.000.704



1.003.135



1.000.856

MULTIBLOC® 2.RST8 size 2 400A, 690VAC bus bar installation, triple pole

Catalog number	Reference number	Poles	Cable termination components	Design	Weight kg ¹	Package
1.000.704	M1002167	3	3 M10 terminal screws	-	4.77	1 piece
1.001.295	C1023065	3	3 clamp straps 120–240 mm ²	-	4.61	1 piece
1.003.135	D1023066	3	3 M10 terminal screws	with electronic fuse monitoring ESÜ installed (rated voltage = 525VAC)	4.60	1 piece
1.000.856	Z1023062	3	3 M10 terminal screws	with electro-mechanic fuse monitoring MZS installed (galvanic isolation)	5.28	1 piece
1.001.028	A1023063	3	6 M10 terminal screws	main incomer	5.74	1 piece

¹weight in kg per piece or set including package



MULTIBLOC® 2.RST8

Size 2, 400A, 690VAC, Design for bus bar installation, Triple Pole

TECHNICAL DATA IN ACCORDANCE WITH EN / IEC 60947

	2.RST8 triple pole
Number of poles/phases	3
Size	2
Conventional free air thermal current with NH-fuse links I_{th}	400 A
Max. power dissipation of fuse links P_n	34 W
Conventional free air thermal current with solid links I_{th}	530 A
Max. power dissipation of solid links P_n	9 W
Utilization category to IEC/EN 60947-3 $U_e = AC 400 V; I_e = 400 A$ $U_e = AC 500 V; I_e = 400 A$ $U_e = AC 690 V; I_e = 315 A$ $U_e = DC 440 V; I_e = 400 A$	AC 23 B AC 22 B AC 21 B DC 21 B
Rated operational voltage U_e	690 V
Rated insulation voltage U_i	1000 V
Rated impulse withstand voltage U_{imp}	12 kV
Rated frequency	50 ... 60 Hz
Degree of protection	IP 20
Degree of pollution	3
Rated duty	uninterrupted duty
Rated conditional short-circuit current with fuse links $U_e = AC 400 V; I_e = 400 A$ $U_e = AC 500 V; I_e = 400 A$ $U_e = AC 690 V; I_e = 315 A$	80 kA 80 kA 80 kA
Rated short circuit making capacity with solid links I_{cm}	10.6 kA _{sw}
Rated short-time withstand current I_{cw}	13 kA / 1 s
Power dissipation by I_{th} without NH-fuse links	60 W
Installation mode	bus bar installation
Cable terminal connection	
Standard cable terminal	M10
for cable lugs Cu max.	2 x 185 mm ²
for cable lugs Al max.	2 x 240 mm ²
for copper bars with max. dimensions	35 x 10 mm
Bus bar terminal connection	
Bus bar width (bus bar system = 40 mm)	12 mm
Bus bar thickness (bus bar system = 40 mm)	5 ... 10 mm
Bus bar width (bus bar system = 60 mm)	12 ... 30 mm
Bus bar thickness (bus bar system = 60 mm)	5 ... 10 mm
Bus bar system	40 mm 60 mm



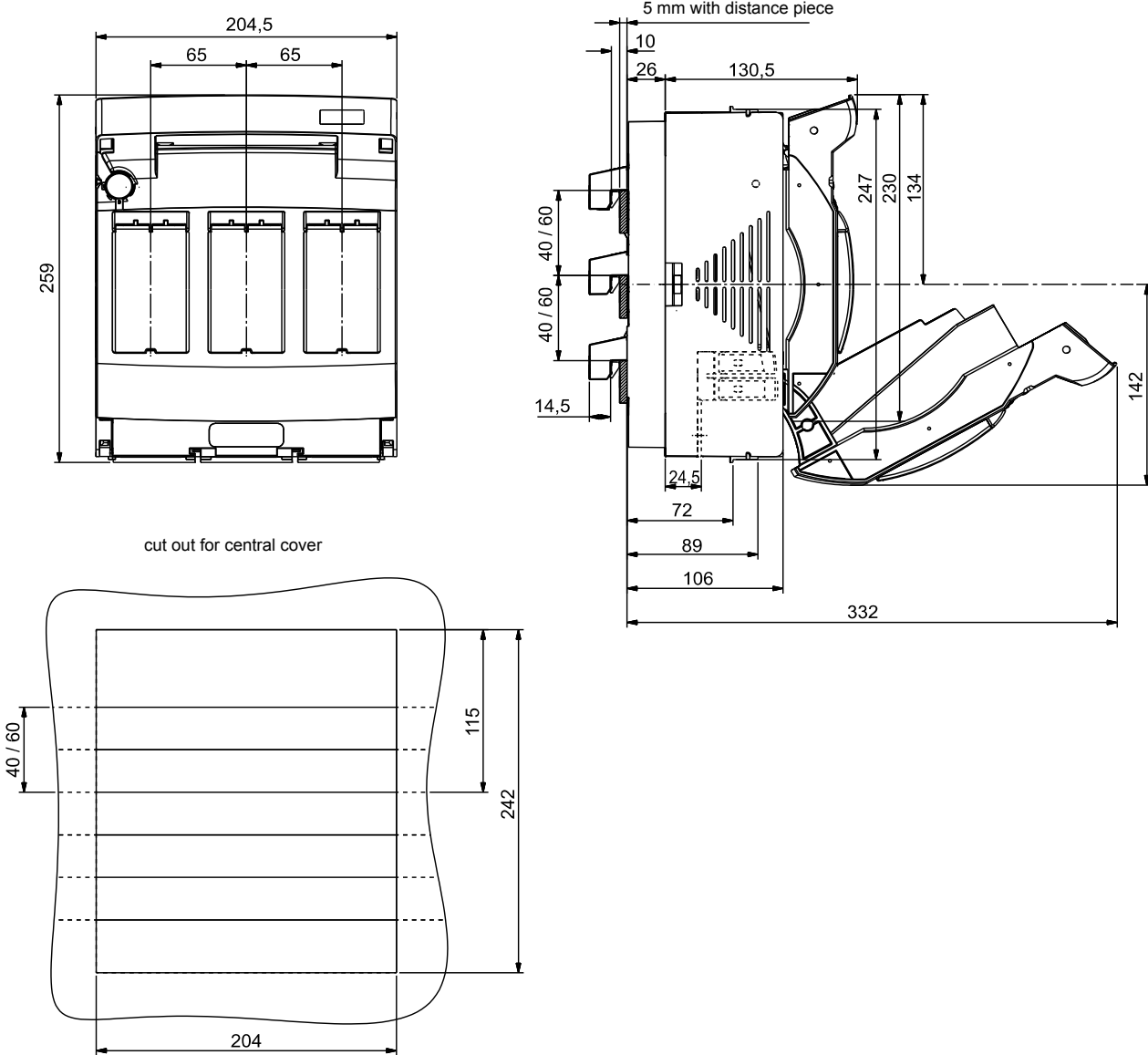
MULTIBLOC® 2.RST8

Size 2, 400A, 690VAC, Design for bus bar installation, Triple Pole

DIMENSIONS

MULTIBLOC® 2.RST8 NH-fuse switch disconnecter
triple pole design for bus bar installation

(M01132a)



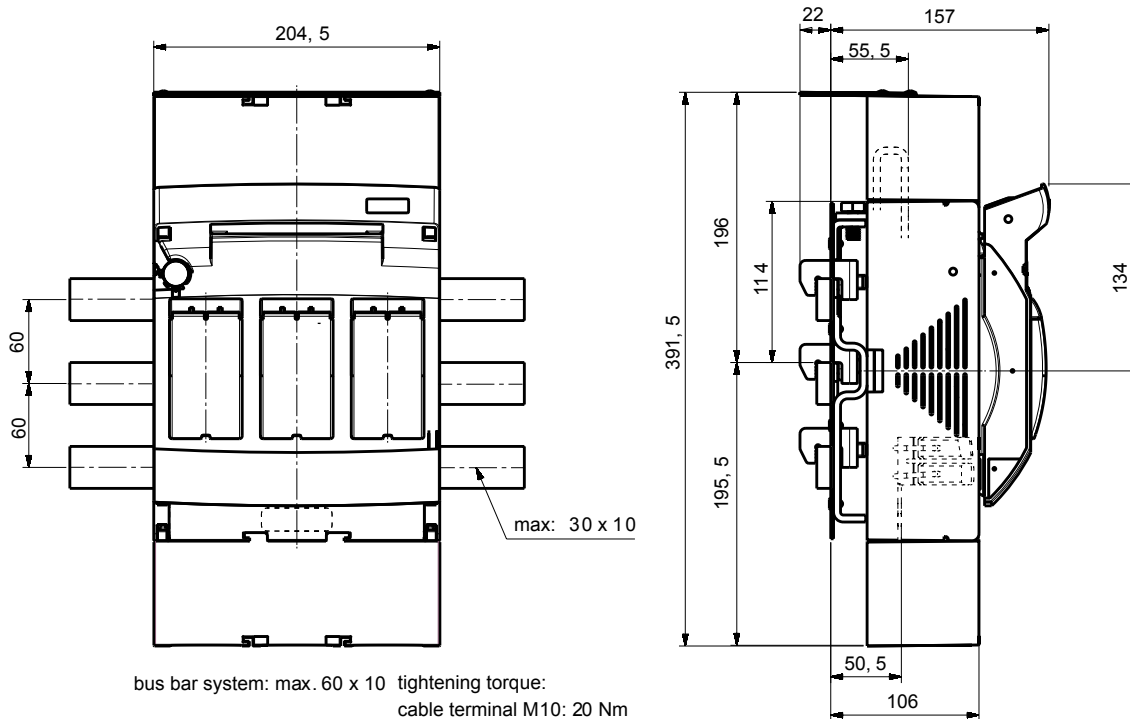
Dimensions in mm

MULTIBLOC® 2.RST8

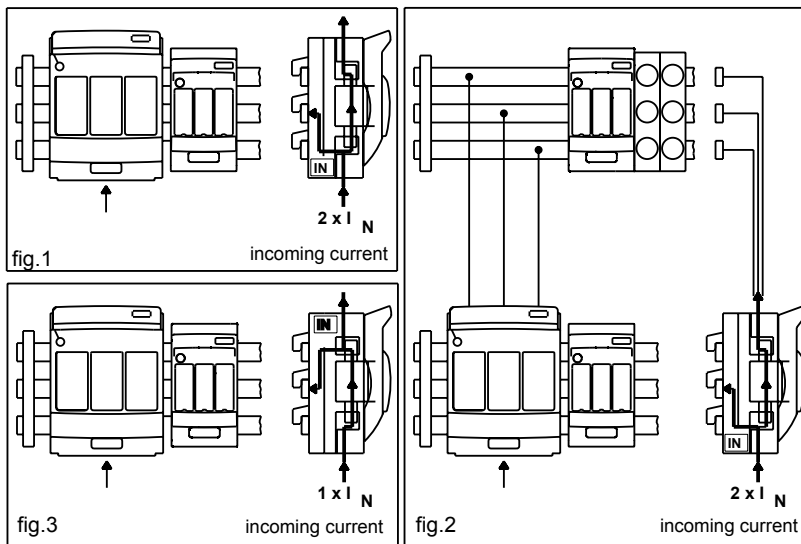
Size 2, 400A, 690VAC, Design for bus bar installation, Triple Pole

DIMENSIONS

MULTIBLOC® main incomer size 2 (M01167-2)



bus bar system: max. 60 x 10 tightening torque:
 cable terminal M10: 20 Nm
 bus bar terminal: hexagon screw: M10: 15 Nm



Dimensions in mm

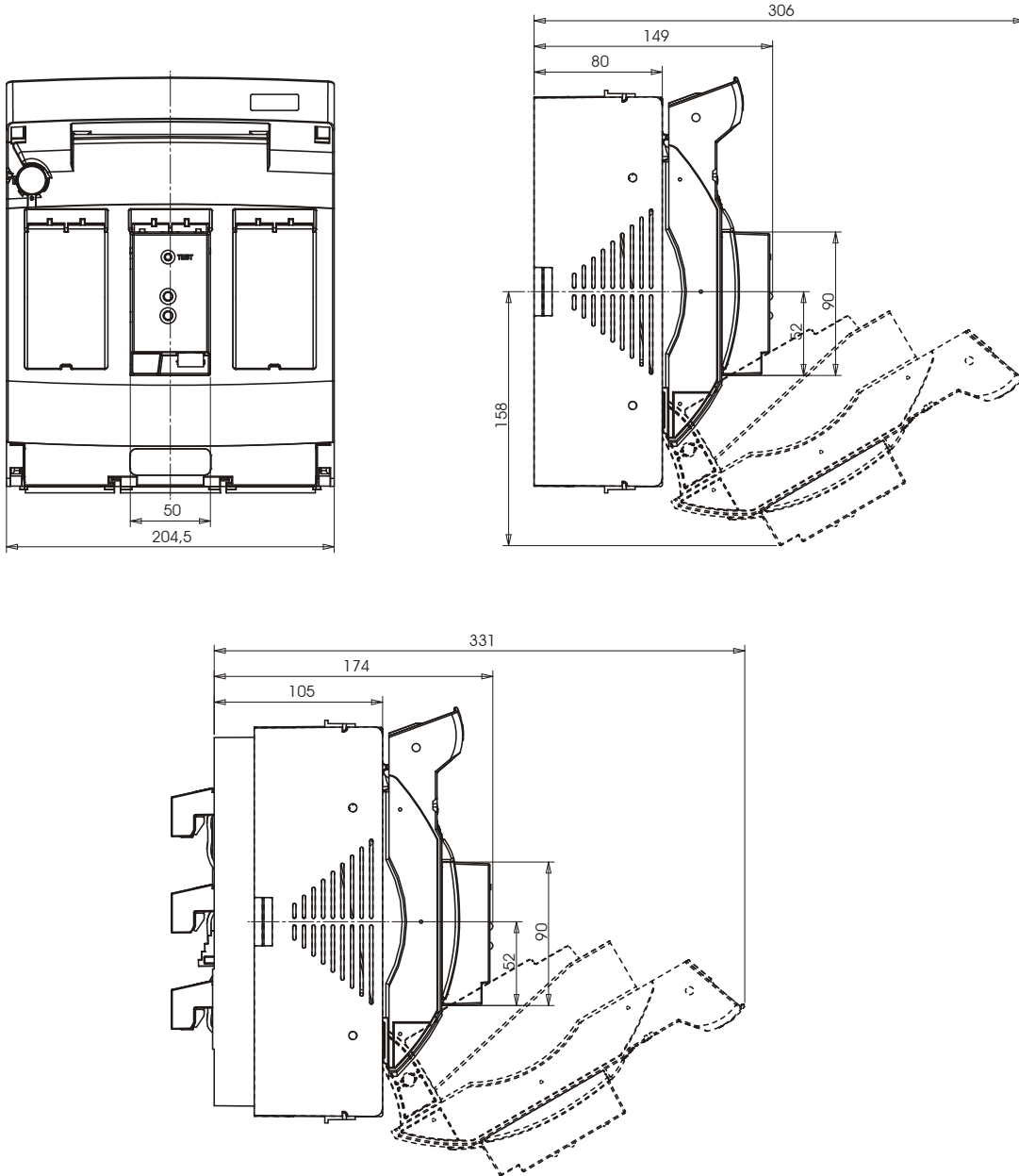
MERSEN reserves the right to change, update or correct, without notice, any information contained in this datasheet.

MULTIBLOC® 2.RST8

Size 2, 400A, 690VAC, Design for bus bar installation, Triple Pole

DIMENSIONS

MULTIBLOC® 2.ST8 and 2.RST8
triple pole with electronic fuse monitoring ESÜ (M01174-2)



Dimensions in mm



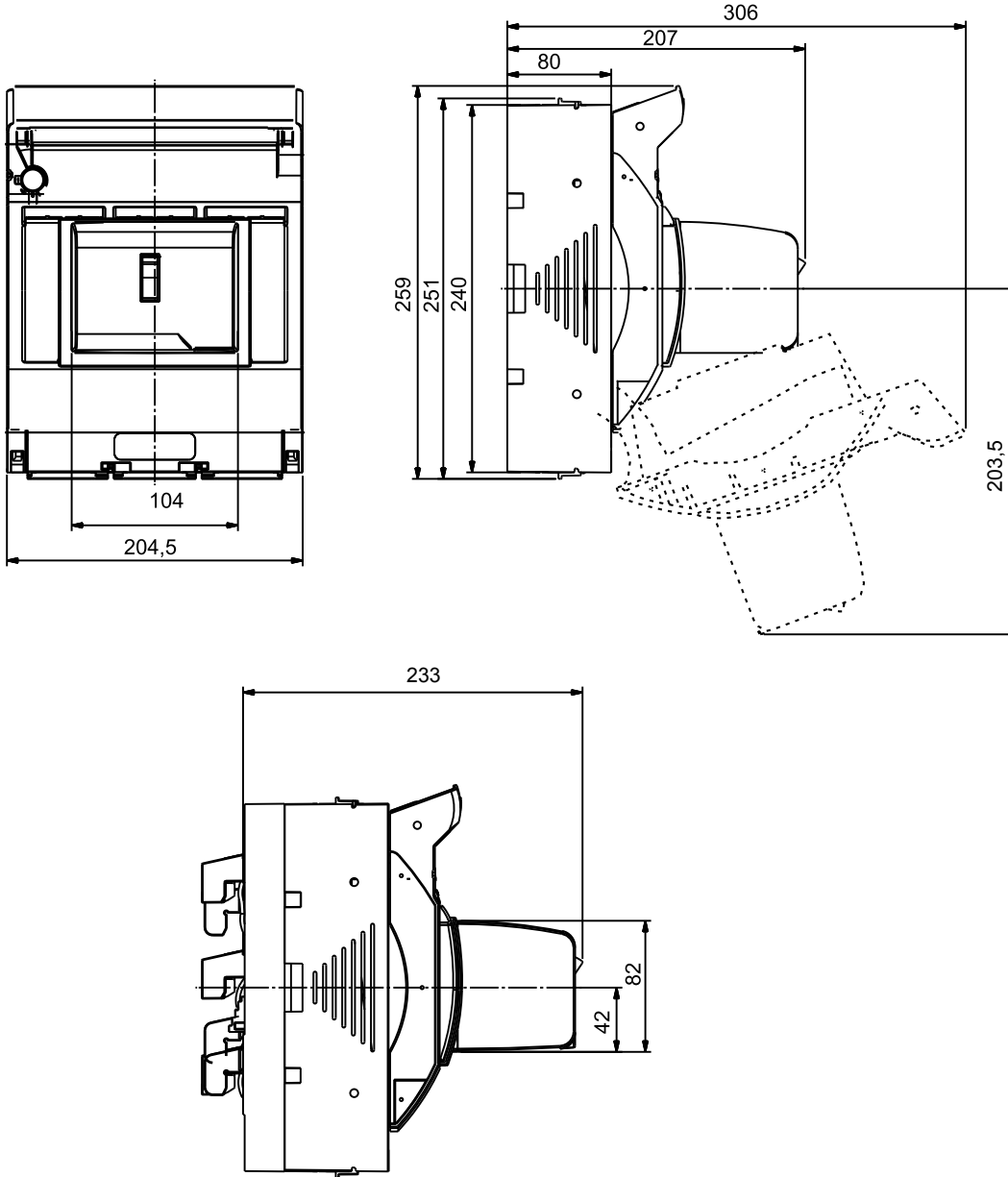
MULTIBLOC® 2.RST8

Size 2, 400A, 690VAC, Design for bus bar installation, Triple Pole

DIMENSIONS

MULTIBLOC® 2.ST8 and 2.RST8

triple pole with electro-mechanic fuse monitoring MZS (M01135-2)



Dimensions in mm

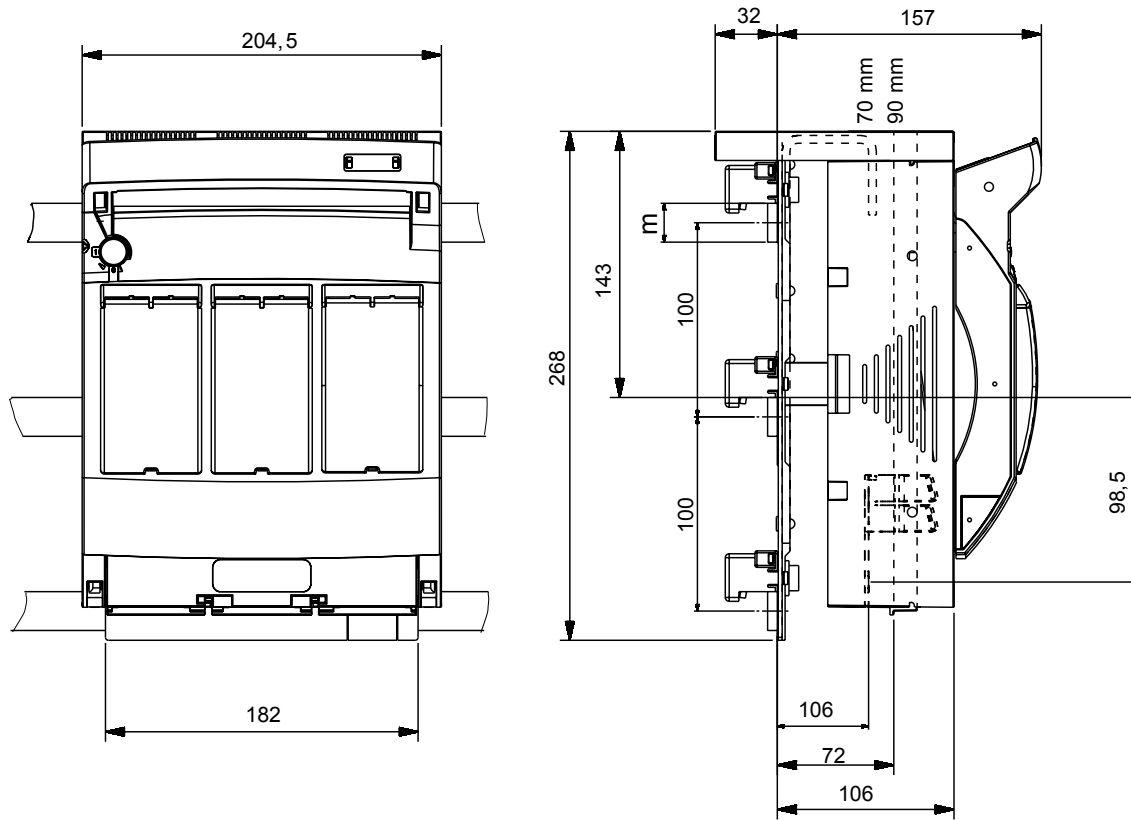


MULTIBLOC® 2.RST8

Size 2, 400A, 690VAC, Design for bus bar installation, Triple Pole

DIMENSIONS

MULTIBLOC® bus bar adapter
with clamp terminal for 2.ST8 (M01151a-2)



m = max. 60 x 10

tightening torque: M10: 25 Nm
M8: 15 Nm

Dimensions in mm

MULTIBLOC® 2.RST8

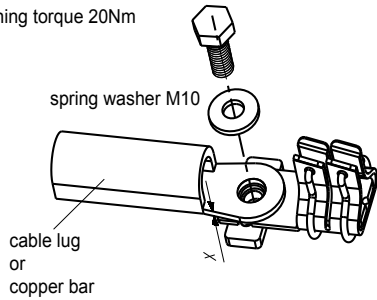
Size 2, 400A, 690VAC, Design for bus bar installation, Triple Pole

DIMENSIONS

Cable termination size 2 (MA 98e-2)

**screw terminal:
(standard)**

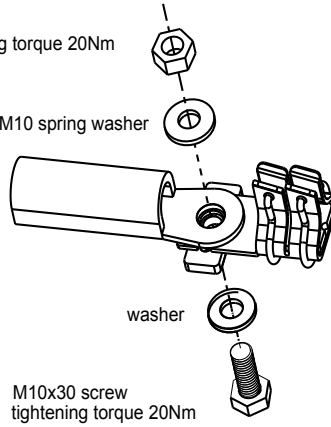
M10x20 screw
tightening torque 20Nm



**bolt terminal:
(standard)**

M10 nut
tightening torque 20Nm

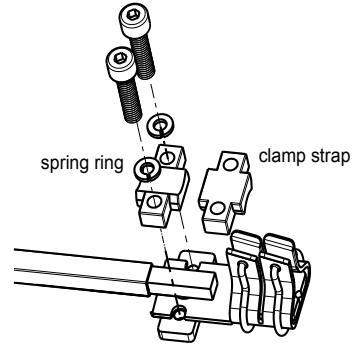
M10 spring washer



M10x30 screw
tightening torque 20Nm

**terminal: clamp strap
(option/accessory)**

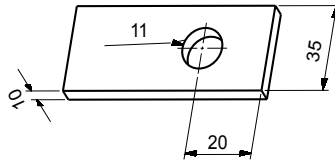
size.2: M8x35 screw
tightening torque 8Nm



screw and bolt terminal for

size. 2:	DIN 46234 max. 240mm ²
	DIN 46235 max. 185mm ²
	DIN 46329 max. 240mm ²

copper bars:



size. 2: for round stranded conductors 120 x 24C
for bars or laminated copper 21 x 3-14

Dimensions in mm



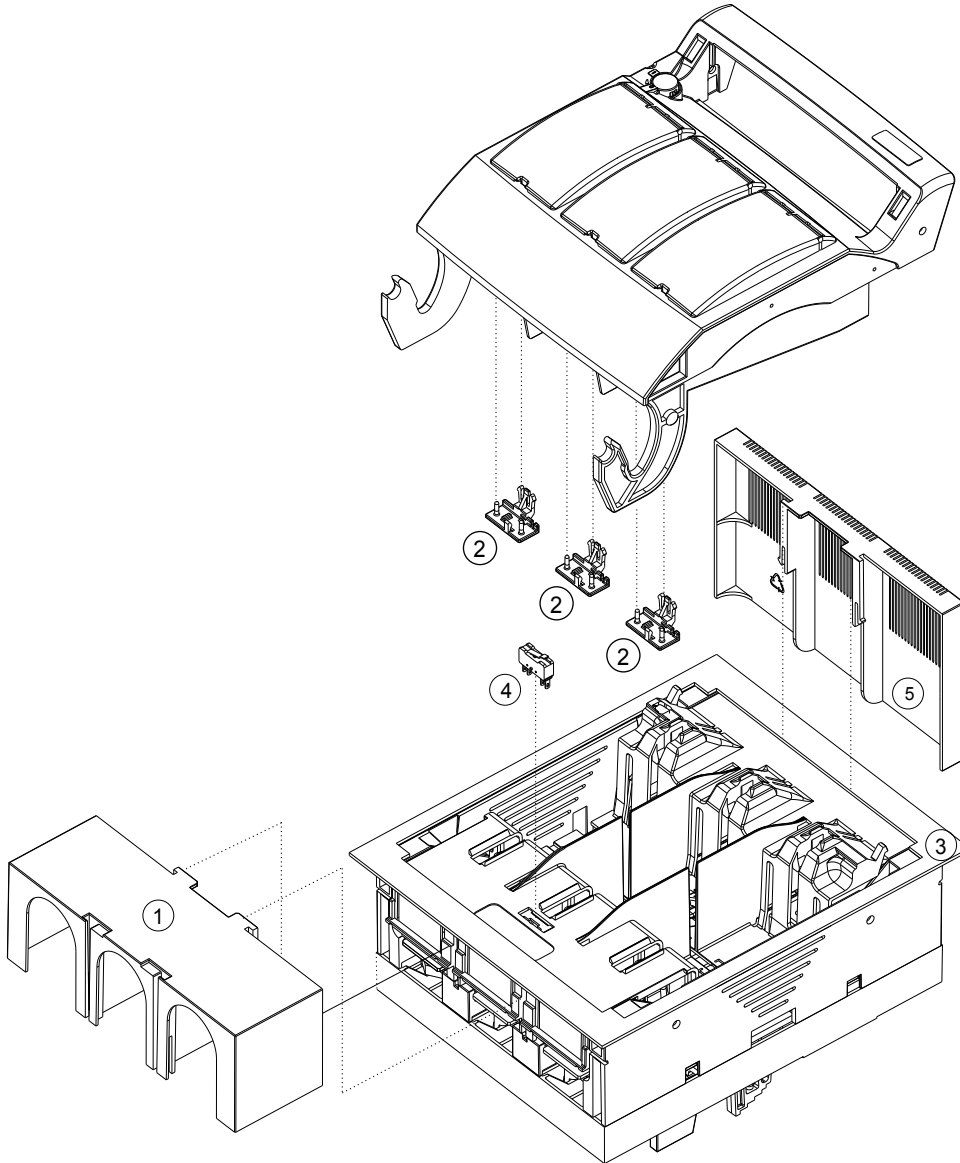
MULTIBLOC® 2.RST8

Size 2, 400A, 690VAC, Design for bus bar installation, Triple Pole

EXPLODED SKETCH

MULTIBLOC® 2.RST8 NH-fuse switch disconnector
triple pole design for bus bar installation

(E 1.000.605)



no.	articlenumber	short Description
1	1.000.861	Cover for cable termination, set = 2 pcs.
2	1.000.150	Locking device f. windows, 1 Set=3 pieces
3	1.000.863	Cover shield 230 x 300 mm
4	1.000.852	indicator for switch door position
5	1.003.347	bus bar touch protection

MERSEN reserves the right to change, update or correct, without notice, any information contained in this datasheet.



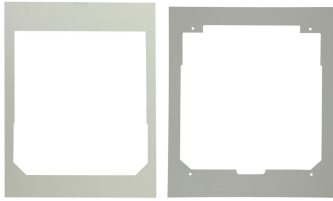
Shah & Shah Enterprise

www.shahent.co.in

MULTIBLOC® 2.RST8

Size 2, 400A, 690VAC, Design for bus bar installation, Triple Pole

ACCESSORIES

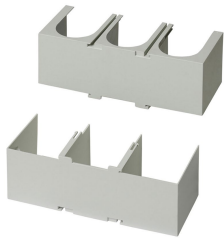


1.000.863

1.002.352

Cover shields

Catalog number	Reference number	Design	Weight	Package
1.000.863	V1002174	cover shield for installation in distribution units size (width x height): 230 x 300 mm for one 2.ST8/2.RST8 triple pole	0.102 kg	1 piece
1.002.352	Y1022969	cover shield for installation in distribution units size (width x height): 234 x 310 mm for one 2.ST8/2.RST8 triple pole	0.11 kg	1 piece



1.000.861

Cover/shrouds for cable termination

Catalog number	Reference number	Design	Weight	Package
1.000.861	N1002168	cover for cable terminal connection for 2.ST8 triple pole, 1 set = 2 pieces	0.308 kg	1 set
1.003.347	H1023116	bus bar touch protection for 2.RST8	97 g	1 piece



1.003.347



1.000.852

Indication facilities

Catalog number	Reference number	Design	Weight	Package
1.000.852	Q1002285	indicator for switch door position micro switch, 1 change-over contact 5 A, 250 V	0.09 kg	1 piece



1.000.150

Locking and sealing devices/locking device for window

Catalog number	Reference number	Design	Weight	Package
1.000.150	K229296	locking device for window for 00.ST8 1-, 2-, 4-pole and 1./2.ST8/RST8 1 set = 3 pieces	20 g	1 set

MULTIBLOC® 2.RST8

Size 2, 400A, 690VAC, Design for bus bar installation, Triple Pole

ACCESSORIES



1.001.237



13SZAV6

13SZAD6

Varieties of cable termination

Catalog number	Reference number	Design	Weight	Package
1.001.237	B1002180	clamp strap size 2 120–240 mm ² , 1 set = 3 pieces	0.261 kg	1 set
13SZAV6	K1023118	V-terminal size 1,2,3; M12, for V-terminal clamps size 1,2,3 for MULTIBLOC® size 2 supplementary set for V-terminal with use of V-clamps 1 set = 3 pieces	0.27 kg	1 set
13SZAD6	A1022971	M12 terminal lugs for M12 double terminal for MULTIBLOC® size 2 and 3 1 set = 3 pieces	0.259 kg	1 set

