

# MULTIFIX® 60

MULTIBLOC® NH Fuse Switch Disconnecter

## BUS BAR SYSTEMS

### COMPONENTS FOR 60MM SYSTEMS



MULTIFIX® 60 is a system for energy distribution comprising a variety of modular combinable components. The energy distribution is carried out via copper bus bars in a 60mm bus bar system up to 630A, 400VAC, 500VAC, 690VAC, 45–62Hz. Short circuit withstand tested to VDE 0660 part 500 and IEC 60439-1.

MULTIFIX® 60 is suitable for triple pole, quadruple pole and quintuple pole applications.

The components of the MULTIFIX® 60 system are mounted directly without drilling. This method offers high flexibility for extension and alteration of existing installations -> reduced installation time.

MULTIBLOC® NH-fuse switch disconnectors are available in triple pole units in size 000, 100A size 00, 160A size 1 250A and size 2 400A. They are designed for direct installation without drilling on to 60 mm bus bar system and establish the current connection via direct contact. MULTIBLOC® 000.RST8 size 000, 100A is has a reduced width of 54 mm for space saving installation. MULTIBLOC® 00.RST 9 size 00, 160A is designed for direct installation without tools, the installation depth is reduced to 95,5mm. 1.RST8 and 2.RST8 size 1, 250A and size 2, 400A are symmetrical switches – suitable for bottom/top cable terminal connections.

## TECHNICAL DATA OVERVIEW

Voltage AC	690 VAC
Ampere Range (A)	100 ... 400 A
Size per Standard	000, 00, 1, 2
Switchability	triple pole switching
Product Size	NH000, NH00, NH1, NH2
Number of Poles	3

## FEATURES & BENEFITS

- For bus bars with width 12 - 30mm and thickness 5 - 10mm
- Safe on load connection/disconnection in accordance with IEC 60947-3

## APPLICATIONS

- Panel board builders
- Control system engineering
- Industrial plants
- Heating & air conditioning systems

## STANDARDS

- IEC/EN 60 947-3  
For NH-fuse links size 000/00 in accordance with IEC/EN 60 269-2, VDE 0636-2



### PRODUCT RANGE



1.002.571



1.002.572

#### MULTIBLOC® 000.RST8 size 000 100 A, 690VAC bus bar installation, triple pole

Catalog number	Reference number	Poles	Cable termination components	Weight kg <sup>1</sup>	Package
1.002.571	L1002166	3	3 frame clamps 2,5-50 mm <sup>2</sup> bottom terminal	0.60	1 piece
1.002.572	L1023050	3	3 frame clamps 2,5-50 mm <sup>2</sup> top terminal	0.62	1 piece

<sup>1</sup>weight in kg per piece or set including package



3.084.000



3.084.100



3.084.200

#### MULTIBLOC® 00.RST9 size 00 160A, bus bar installation, triple pole

Catalog number	Reference number	Poles	Bus bar installation	Cable termination components	Design	Weight kg <sup>1</sup>	Package
3.084.000	Z1022993	3	60 mm snap on	3 M8 terminal screws 3 clamp straps 4–70 mm <sup>2</sup>	-	0.93	1 piece
3.083.000	X1022991	3	60 mm snap on	3 frame clamps Cu 2,5-70 mm <sup>2</sup> factory assembled	-	0.88	1 piece
3.084.300	D1022997	3	60 mm snap on	3 M8 terminal screws 3 clamp straps 4–70 mm <sup>2</sup>	fixed window to protect against unauthorized connection	0.88	1 piece
3.083.300	Y1022992	3	60 mm snap on	3 frame clamps Cu 2,5-70 mm <sup>2</sup> factory assembled	fixed window to protect against unauthorized connection	0.88	1 piece
3.084.100	B1022995	3	60 mm snap on	3 M8 terminal screws 3 clamp straps 4–70 mm <sup>2</sup>	with electronic fuse monitoring ESÜ installed (rated voltage = 525VAC)	0.96	1 piece
3.084.200	C1022996	3	60 mm snap on	3 M8 terminal screws 3 clamp straps 4–70 mm <sup>2</sup>	with electro-mechanic fuse monitoring MZS installed (galvanic isolation)	1.46	1 piece
2.074.000	W1022990	3	40 mm clamping bar	3 M8 terminal screws 3 clamp straps 4-70 mm <sup>2</sup>	-	1.06	1 piece

<sup>1</sup>weight in kg per piece or set including package

# MULTIFIX® 60

## MULTIBLOC® NH Fuse Switch Disconnecter

### PRODUCT RANGE



1.000.323



1.003.134

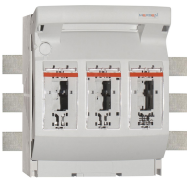


1.000.855

#### MULTIBLOC® 1.RST8 size 1 250A, 690VAC bus bar installation, triple pole

Catalog number	Reference number	Poles	Cable termination components	Design	Weight kg <sup>1</sup>	Package
1.000.323	T229879	3	3 M10 terminal screws	-	3.09	1 piece
1.001.294	Q1023054	3	3 clamp straps 70–150 mm <sup>2</sup>	-	3.06	1 piece
1.003.134	R1023055	3	3 M10 terminal screws	with electronic fuse monitoring ESÜ installed (rated voltage = 525VAC)	3.14	1 piece
1.000.855	M1023051	3	3 M10 terminal screws	with electro-mechanic fuse monitoring MZS installed (galvanic isolation)	3.80	1 piece
1.000.936	P1023053	3	6 M10 terminal screws	main incomer	4.68	1 piece

<sup>1</sup>weight in kg per piece or set including package



1.000.704



1.003.135



1.000.856

#### MULTIBLOC® 2.RST8 size 2 400A, 690VAC bus bar installation, triple pole

Catalog number	Reference number	Poles	Cable termination components	Design	Weight kg <sup>1</sup>	Package
1.000.704	M1002167	3	3 M10 terminal screws	-	4.77	1 piece
1.001.295	C1023065	3	3 clamp straps 120–240 mm <sup>2</sup>	-	4.61	1 piece
1.003.135	D1023066	3	3 M10 terminal screws	with electronic fuse monitoring ESÜ installed (rated voltage = 525VAC)	4.60	1 piece
1.000.856	Z1023062	3	3 M10 terminal screws	with electro-mechanic fuse monitoring MZS installed (galvanic isolation)	5.28	1 piece
1.001.028	A1023063	3	6 M10 terminal screws	main incomer	5.74	1 piece

<sup>1</sup>weight in kg per piece or set including package

MERSEN reserves the right to change, update or correct, without notice, any information contained in this datasheet.



TECHNICAL DATA IN ACCORDANCE WITH EN / IEC 60947

	000.RST8 triple pole	00.RST9 triple pole	1.RST8 triple pole	2.RST8 triple pole
Number of poles/phases	3	3	3	3
Size	000	00	1	2
Conventional free air thermal current with NH-fuse links $I_{th}$	100 A	160 A	250 A	400 A
Max. power dissipation of fuse links $P_n$	7,5 W	12 W	23 W	34 W
Conventional free air thermal current with solid links $I_{th}$	-	200 A	400 A	530 A
Max. power dissipation of solid links $P_n$	-	1,2 W	2,6 W	9 W
Utilization category to IEC/EN 60947-3				
U <sub>e</sub> = AC 400 V; I <sub>e</sub> = 160 A	-	AC 23 B	-	-
U <sub>e</sub> = AC 400 V; I <sub>e</sub> = 250 A	-	-	AC 23 B	-
U <sub>e</sub> = AC 400 V; I <sub>e</sub> = 400 A	-	-	-	AC 23 B
U <sub>e</sub> = AC 500 V; I <sub>e</sub> = 160 A	-	AC 22 B	-	-
U <sub>e</sub> = AC 500 V; I <sub>e</sub> = 250 A	-	-	AC 22 B	-
U <sub>e</sub> = AC 500 V; I <sub>e</sub> = 400 A	-	-	-	AC 22 B
U <sub>e</sub> = AC 690 V; I <sub>e</sub> = 100 A	AC 22 B	-	-	-
U <sub>e</sub> = AC 690 V; I <sub>e</sub> = 125 A	-	AC 21 B	-	-
U <sub>e</sub> = AC 690 V; I <sub>e</sub> = 200 A	-	-	AC 21 B	-
U <sub>e</sub> = AC 690 V; I <sub>e</sub> = 315 A	-	-	-	AC 21 B
U <sub>e</sub> = DC 220 V; I <sub>e</sub> = 160 A	-	DC 22 B	-	-
U <sub>e</sub> = DC 440 V; I <sub>e</sub> = 100 A	DC 21 B	DC 21 B	-	-
U <sub>e</sub> = DC 440 V; I <sub>e</sub> = 250 A	-	-	DC 21 B	-
U <sub>e</sub> = DC 440 V; I <sub>e</sub> = 400 A	-	-	-	DC 21 B
Rated operational voltage U <sub>e</sub>	690 V	690 V	690 V	690 V
Rated insulation voltage U <sub>i</sub>	1000 V	1000 V	1000 V	1000 V
Rated impulse withstand voltage U <sub>imp</sub>	6 kV	8 kV	12 kV	12 kV
Rated frequency	50 ... 60 Hz	50 ... 60 Hz	50 ... 60 Hz	50 ... 60 Hz
Degree of protection	IP 20	IP 0	IP 20	IP 20
Degree of pollution	3	3	3	3
Rated duty	uninterrupted duty	uninterrupted duty	uninterrupted duty	uninterrupted duty
Rated conditional short-circuit current with fuse links				
U <sub>e</sub> = AC 400 V; I <sub>e</sub> = 160 A	-	80 kA	-	-
U <sub>e</sub> = AC 400 V; I <sub>e</sub> = 100 A	80 kA	-	-	-
U <sub>e</sub> = AC 400 V; I <sub>e</sub> = 250 A	-	-	80 kA	-
U <sub>e</sub> = AC 400 V; I <sub>e</sub> = 400 A	-	-	-	80 kA
U <sub>e</sub> = AC 500 V; I <sub>e</sub> = 160 A	-	80 kA	-	-
U <sub>e</sub> = AC 500 V; I <sub>e</sub> = 250 A	-	-	50 kA	-
U <sub>e</sub> = AC 500 V; I <sub>e</sub> = 400 A	-	-	-	80 kA
U <sub>e</sub> = AC 690 V; I <sub>e</sub> = 200 A	-	-	50 kA	-
U <sub>e</sub> = AC 690 V; I <sub>e</sub> = 100 A	80 kA	-	-	-
U <sub>e</sub> = AC 690 V; I <sub>e</sub> = 125 A	-	80 kA	-	-
U <sub>e</sub> = AC 690 V; I <sub>e</sub> = 315 A	-	-	-	80 kA
Rated short circuit making capacity with solid links I <sub>cm</sub>	-	6.2 kAsw	8.2 kAsw	10.6 kAsw
Rated short-time withstand current I <sub>cw</sub>	-	4 kA / 1 s	8 kA / 1 s	13 kA / 1 s
Power dissipation by I <sub>th</sub> without NH-fuse links	-	10 W	28 W	53 W
Power dissipation by I <sub>th</sub> without solid links	-	16 W	-	-
Installation mode	bus bar installation	bus bar installation	bus bar installation	bus bar installation
<b>Cable terminal connection</b>				
Standard cable terminal	frame clamp 2·5-50mm <sup>2</sup>	M8	M10	M10
for cable lugs Cu max.	-	2 x 70 mm <sup>2</sup>	2 x 150 mm <sup>2</sup>	2 x 185 mm <sup>2</sup>
for cable lugs Al max.	-	2 x 70 mm <sup>2</sup>	2 x 185 mm <sup>2</sup>	2 x 240 mm <sup>2</sup>
for copper bars with max. dimensions	-	20 x 5 mm	30 x 10 mm	35 x 10 mm
<b>Bus bar terminal connection</b>				
Bus bar width (bus bar system = 40 mm)	-	12 mm	12 mm	12 mm
Bus bar thickness (bus bar system = 40 mm)	-	5 ... 10 mm	5 ... 10 mm	5 ... 10 mm
Bus bar width (bus bar system = 60 mm)	12 ... 30 mm	12 ... 30 mm	12 ... 30 mm	12 ... 30 mm

# MULTIFIX<sup>®</sup> 60

## MULTIBLOC<sup>®</sup> NH Fuse Switch Disconnecter

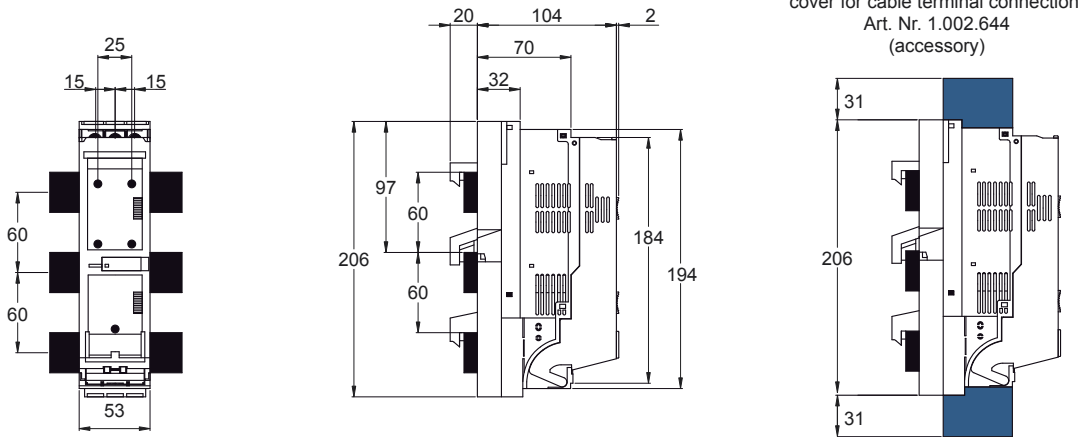
### TECHNICAL DATA IN ACCORDANCE WITH EN / IEC 60947

	000.RST8 triple pole	00.RST9 triple pole	1.RST8 triple pole	2.RST8 triple pole
Bus bar thickness (bus bar system = 60 mm)	5 ... 10 mm	5 ... 10 mm	5 ... 10 mm	5 ... 10 mm
Bus bar system	60 mm	40 mm 60 mm	40 mm 60 mm	40 mm 60 mm

### DIMENSIONS

#### MULTIBLOC<sup>®</sup> 000.RST8 NH-fuse switch disconnecter triple pole design for bus bar installation

(M02047)



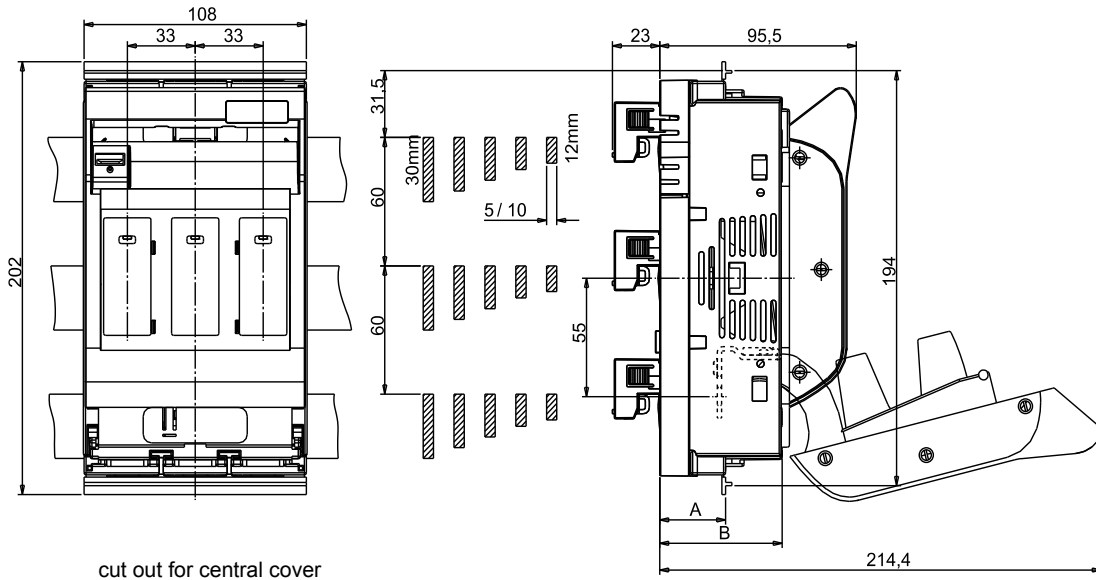
Dimensions in mm

# MULTIFIX® 60

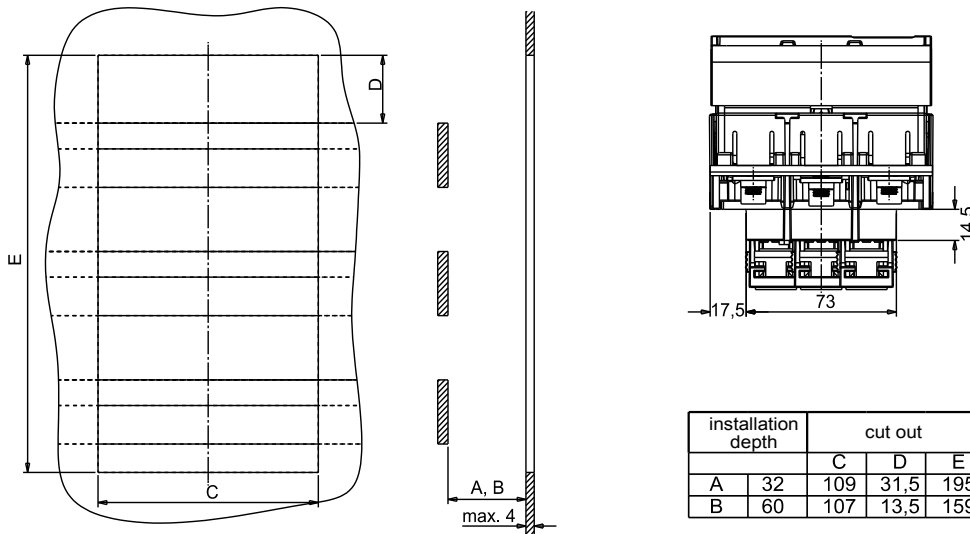
## MULTIBLOC® NH Fuse Switch Disconnecter

### DIMENSIONS

**MULTIBLOC® 00.RST9 NH-fuse switch disconnecter**  
**triple pole design for bus bar installation** (M01170)



cut out for central cover

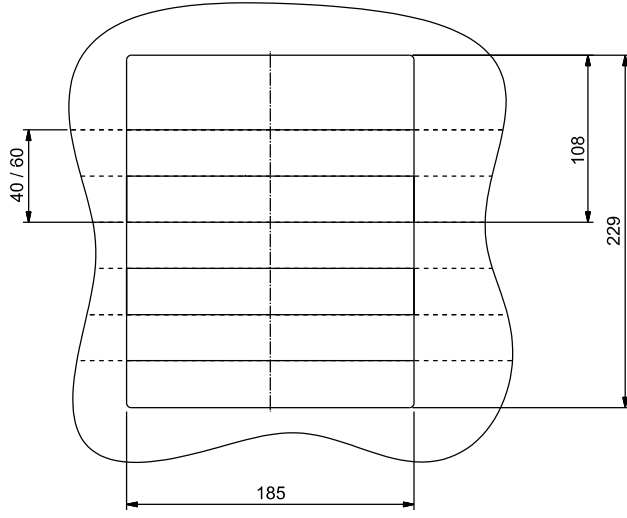
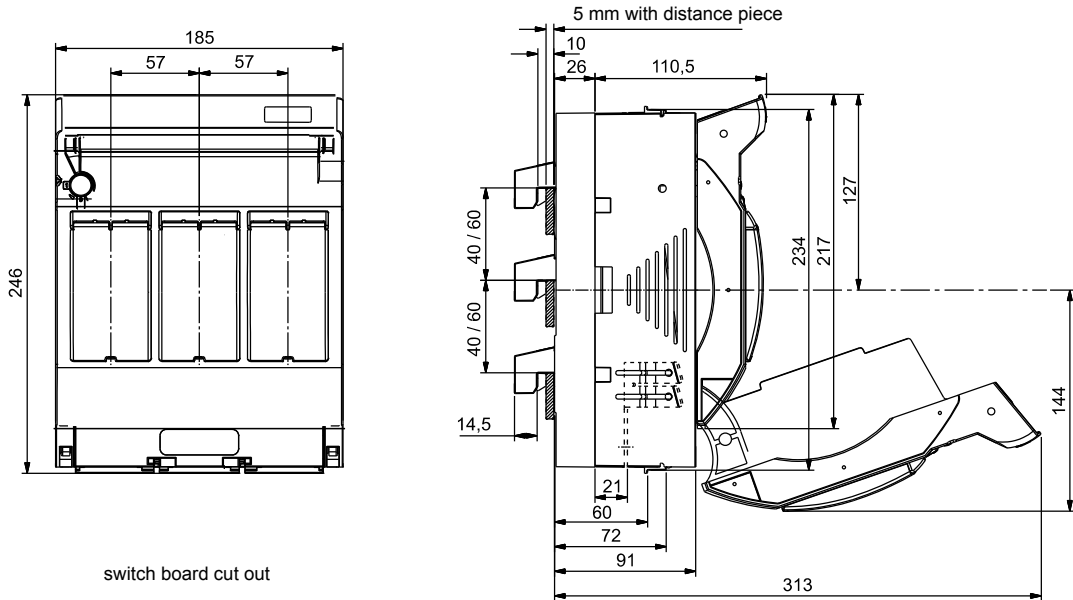


installation depth	cut out			
	C	D	E	
A	32	109	31,5	195
B	60	107	13,5	159

Dimensions in mm

DIMENSIONS

MULTIBLOC® 1.RST8 NH-fuse switch disconnecter  
triple pole design for bus bar installation (M01123a)

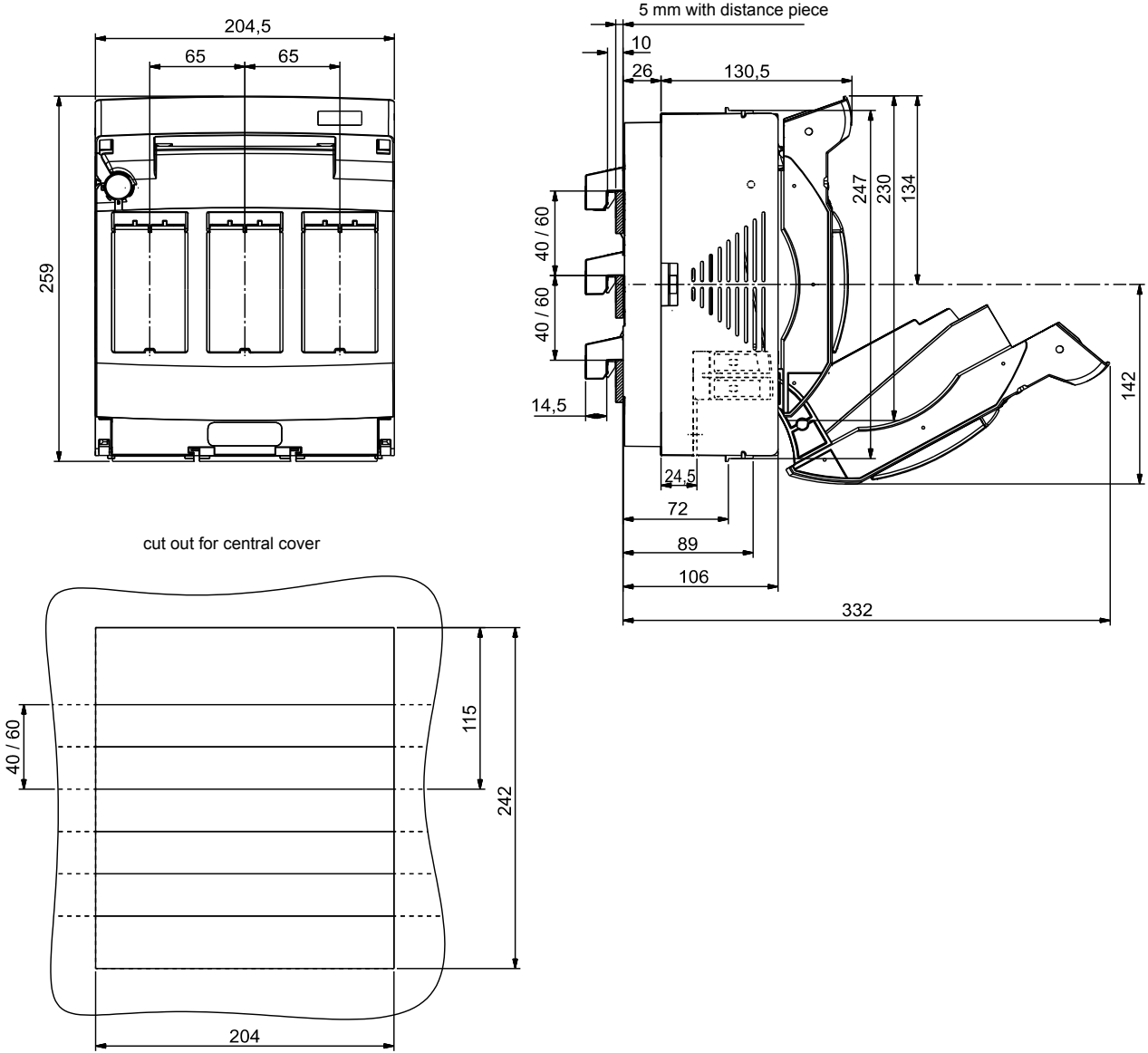


Dimensions in mm

MERSEN reserves the right to change, update or correct, without notice, any information contained in this datasheet.

DIMENSIONS

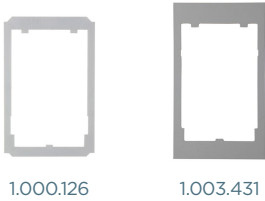
MULTIBLOC® 2.RST8 NH-fuse switch disconnecter  
triple pole design for bus bar installation (M01132a)



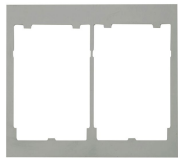
Dimensions in mm



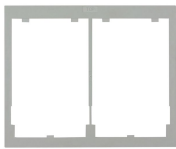
ACCESSORIES



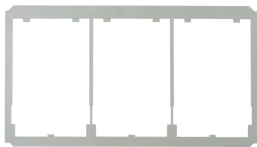
1.000.126      1.003.431



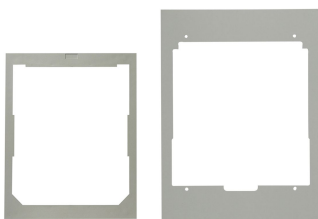
1.002.874



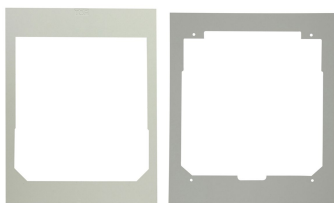
1.000.127



1.000.128



1.000.353      1.002.351



1.000.863      1.002.352



1.002.870

Cover shields

Catalog number	Reference number	Design	Weight	Package
1.000.126	Y229285	cover shield for installation in distribution units size (width x height): 123 x 190 mm for one 00.ST9/00.RST9	22 g	1 piece
1.003.431	N1022960	cover shield for installation in distribution units size (width x height): 123 x 210 mm for one 00.ST9/00.RST9	30 g	1 piece
1.002.874	S1022964	cover shield for installation in distribution units size (width x height): 231 x 210 mm for two 00.ST9/00.RST9	57 g	1 piece
1.000.127	Z229286	cover shield for installation in distribution units size (width x height): 231 x 190 mm for two 00.ST9/00.RST9	46 g	1 piece
1.000.128	A229287	cover shield for installation in distribution units size (width x height): 339 x 190 mm for three 00.ST9/00.RST9	30 g	1 piece
1.000.353	Z229884	cover shield for installation in distribution units size (width x height): 210 x 260 mm for one 1.ST8/1.RST8 triple pole	68 g	1 piece
1.002.351	X1022968	cover shield for installation in distribution units size (width x height): 230 x 283 mm for one 1.ST8/1.RST8 triple pole	90 g	1 piece
1.000.863	V1002174	cover shield for installation in distribution units size (width x height): 230 x 300 mm for one 2.ST8/2.RST8 triple pole	0.102 kg	1 piece
1.002.352	Y1022969	cover shield for installation in distribution units size (width x height): 234 x 310 mm for one 2.ST8/2.RST8 triple pole	0.11 kg	1 piece
1.002.870	R1022963	cover shield for installation in distribution units size (width x height) 231 x 210 mm for one 00.ST9/00.RST9 + lateral spare way cover right side	95 g	1 piece

### ACCESSORIES



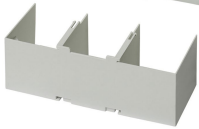
1.000.148



1.000.861



1.002.644



1.003.325



1.003.347



1.003.329



### Cover/shrouds for cable termination

Catalog number	Reference number	Design	Weight	Package
1.000.148	W229283	cover for cable terminal connection for 00.ST9 triple pole, 1 set = 2 pieces	43 g	1 set
1.000.861	N1002168	cover for cable terminal connection for 2.ST8 triple pole, 1 set = 2 pieces	0.308 kg	1 set
1.002.644	N1022983	cover for cable terminal connection, 1 set = 2 pieces	68 g	1 set
1.003.325	F1023114	bus bar touch protection for 00.RST9	25 g	1 piece
1.003.347	H1023116	bus bar touch protection for 2.RST8	97 g	1 piece
1.003.329	G1023115	bus bar touch protection for 1.RST8	82 g	1 piece

ACCESSORIES



1.002.643



1.000.852



1.000.157

Indication facilities

Catalog number	Reference number	Design	Weight	Package
1.002.643	T1022988	indicator for switch door position micro switch 1 change-over contact 5 A, 250 V for MULTIBLOC® 000.RST8 1 set = 3 pieces	10 g	1 piece
1.000.852	Q1002285	indicator for switch door position micro switch, 1 change-over contact 5 A, 250 V	9 g	1 piece
1.000.157	S1022987	indicator for switch door position micro switch 1 "a" contact/ 1 "b" contact, 5 A, 250 V for MULTIBLOC® 00.RST9 for 40 mm bus bar system	10 g	1 piece



1.000.155

Locking and sealing devices/cover sealing device

Catalog number	Reference number	Design	Weight	Package
1.000.155	L229297	cover sealing device-installation set for 00.ST8 1-, 2-, 4-pole and 1.ST8/RST8	10 g	1 piece



1.000.150

Locking and sealing devices/locking device for window

Catalog number	Reference number	Design	Weight	Package
1.000.150	K229296	locking device for window for 00.ST8 1-, 2-, 4-pole and 1./2.ST8/RST8 1 set = 3 pieces	20 g	1 set

### ACCESSORIES

#### Varieties of cable termination



00SZS

00SZESK



00SZA70

1.003.571



1.003.433

00SZSV6



1.000.420



1.001.830



1.001.237



13SZAV6

13SZAD6

Catalog number	Reference number	Design	Weight	Package
00SZS	M229298	M8 terminal screw for switch gear size 00 1 set = 3 pieces	35 g	1 set
00SZESK	E214594	clamp strap Cu 4–70 mm <sup>2</sup> for switch gear size 00 1 set = 3 pieces	35 g	1 set
00SZA70	R211523	Al/Cu clamp 1,5–70 mm <sup>2</sup> for switch gear size 00 1 set = 3 pieces	75 g	1 set
1.003.571	V1033684	Al/Cu clamp 50–95 mm <sup>2</sup> round stranded for switch gear size 00 1 set = 3 pieces	88 g	1 set
1.003.433	L1022958	triple clamp per pole 1.5 up to 16 mm <sup>2</sup> 1 set = 3 pieces	0.135 kg	1 piece
00SZSV6	K1022957	V-shaped lug size 00, M8, for V-terminal clamp size 00 for switch gear size 00 with screw terminal supplementary set for V-terminal with V-terminal clamps 1 set = 3 pieces	130 g	1 set
1.000.420	E229889	clamp strap 70–150 mm <sup>2</sup> for 1.ST8 1- 4-pole + 1.RST8, 1 set = 3 pieces	0.14 kg	1 set
1.001.830	J1023117	V-shaped lug size 1, M8, for V-terminal clamp size 1 for 1.ST8 1- to 4-pole + 1.RST8, supplementary set for V-terminal with use of V-clamps 1 set = 3 pieces	0.09 kg	1 set
1.001.237	B1002180	clamp strap size 2 120–240 mm <sup>2</sup> , 1 set = 3 pieces	0.261 kg	1 set
13SZAV6	K1023118	V-terminal size 1,2,3; M12, for V-terminal clamps size 1,2,3 for MULTIBLOC® size 2 supplementary set for V-terminal with use of V-clamps 1 set = 3 pieces	0.27 kg	1 set
13SZAD6	A1022971	M12 terminal lugs for M12 double terminal for MULTIBLOC® size 2 and 3 1 set = 3 pieces	0.259 kg	1 set