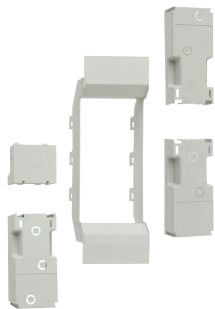


MULTIFIX® 60 System cover

BUS BAR SYSTEMS

COMPONENTS FOR 60MM SYSTEMS



MULTIFIX® 60 is a system for energy distribution comprising a variety of modular combinable components. The energy distribution is carried out via copper bus bars in a 60 mm bus bar system up to 630 A, 400 V AC, 500 V AC, 690 V AC, 45–62 Hz. Short circuit withstand tested to VDE 0660 part 500 and IEC 60439-1.

MULTIFIX® 60 is suitable for triple pole, quadruple pole and quintuple pole applications.

The components of the MULTIFIX® 60 system are mounted directly without drilling. This method offers high flexibility for extension and alteration of existing installations -> reduced installation time.

The MULTIFIX 60 patented cover shielding system guarantees complete touch protection of installations on to 60 mm bus bar systems. It is a system shielding for installation of D02-fuse systems of uniform profile in height in combination with MULTIVERT® 160 A NH-vertical fuse switch disconnectors and MULTIBLO® 160 A - 400 A NH-fuse switch disconnectors. Touch protection is achieved for supporting height 70 or 90 mm.

TECHNICAL DATA OVERVIEW

Voltage AC	690 VAC
Ampere Range (A)	2 ... 630 A

FEATURES & BENEFITS

- Patented cover shielding system
- Complete touch protection for installations on to 60mm bus bar system
- Supporting height 70 or 90mm
- System shielding for installation of D02-fuse systems of uniform profile in height in combination with MULTIVERT 160 A NH-vertical fuse switch disconnectors and MULTIBLOC 160 A - 400 A NH-horizontal fuse switch disconnectors

APPLICATIONS

- Panel board builders
- Control system engineering
- Industrial plants
- Heating & air conditioning systems

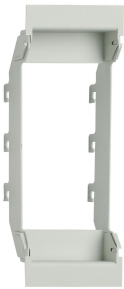
STANDARDS

- in accordance with IEC/EN 60439-1 and VDE 0660 part 500

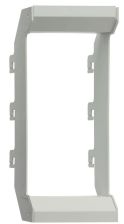


MULTIFIX® 60 System cover

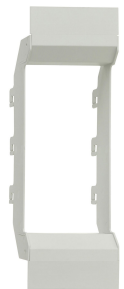
PRODUCT RANGE



1.001.729



1.001.386



1.001.387



1.001.203

D02-cover shielding set for MULTIFIX® 60 for supporting edge 70 mm

Catalog number	Reference number	Design	Weight kg ¹	Package
1.001.729	K1026614	cover shield for D02-vertical fuse switch disconnecter for total length of 255 mm 1 set=2 lateral shields+2 coverf shields (snap on)	0.16	1 set
1.001.386	H1026612	cover shield for D02-fuse base for total length of 255 mm 1 set=2 lateral shields+2 coverf shields (snap on)	0.11	1 set
1.001.387	J1026613	cover shield for D02-fuse base for total length of 325 mm 1 set=2 lateral shields+2 coverf shields (snap on)	0.13	1 set
1.001.204	A1026421	end shielding for total length 350mm	0.08	1 set
1.001.390	J1026429	end shielding for total length 255mm	0.07	1 set

¹weight in kg per piece or set including package

Cover shields for MULTIBLOC® and MULTIVERT® for supporting edge 70 mm

Catalog number	Reference number	Design	Weight kg ¹	Package
1.001.200	W1026417	cover shield for MULTIBLOC® size 00, for total length 350mm, 1 set = top cover shield + bottom cover shield	0.07	1 set
1.001.388	G1026427	cover shield for MULTIBLOC® size 00, for total length 255mm, 1 set = top cover shield + bottom cover shield	0.04	1 set
1.001.201	X1026418	cover shield for MULTIBLOC® size 1, for total length 350mm, 1 set = top cover shield + bottom cover shield	0.11	1 set
1.001.389	H1026428	cover shield for MULTIBLOC® size 1, for total length 255mm, 1 set = top cover shield + bottom cover shield	0.05	1 set
1.001.202	Y1026419	cover shield for MULTIBLOC® size 2, for total length 350mm, 1 set = top cover shield + bottom cover shield	0.12	1 set
1.001.203	Z1026420	cover shield for MULTIVERT® 160 A triple pole switching, for total length 350 mm, 1 set = top cover shield + bottom cover shield	0.05	1 set

¹weight in kg per piece or set including package

MULTIFIX® 60 System cover

PRODUCT RANGE



1.001.209

Cover shields for MULTIBLOC® and MULTIVERT® for supporting edge 90 mm

Catalog number	Reference number	Design	Weight kg ¹	Package
1.001.205	B1026422	cover shield for MULTIBLOC® size 00, for total length 350mm, 1 set = top cover shield + bottom cover shield	0.08	1 set
1.001.206	C1026423	cover shield for MULTIBLOC® size 1, for total length 350mm, 1 set = top cover shield + bottom cover shield	0.11	1 set
1.001.207	E1026425	cover shield for MULTIBLOC® size 2, for total length 350mm, 1 set = top cover shield + bottom cover shield	0.12	1 set
1.001.208	D1026424	cover shield for MULTIBLOC® size 3, for total length 350mm, 1 set = top cover shield + bottom cover shield	0.12	1 set
1.001.209	F1026426	cover shield for MULTIVERT® 160 A triple pole switching, for total length 350 mm, 1 set = top cover shield + bottom cover shield	0.05	1 set

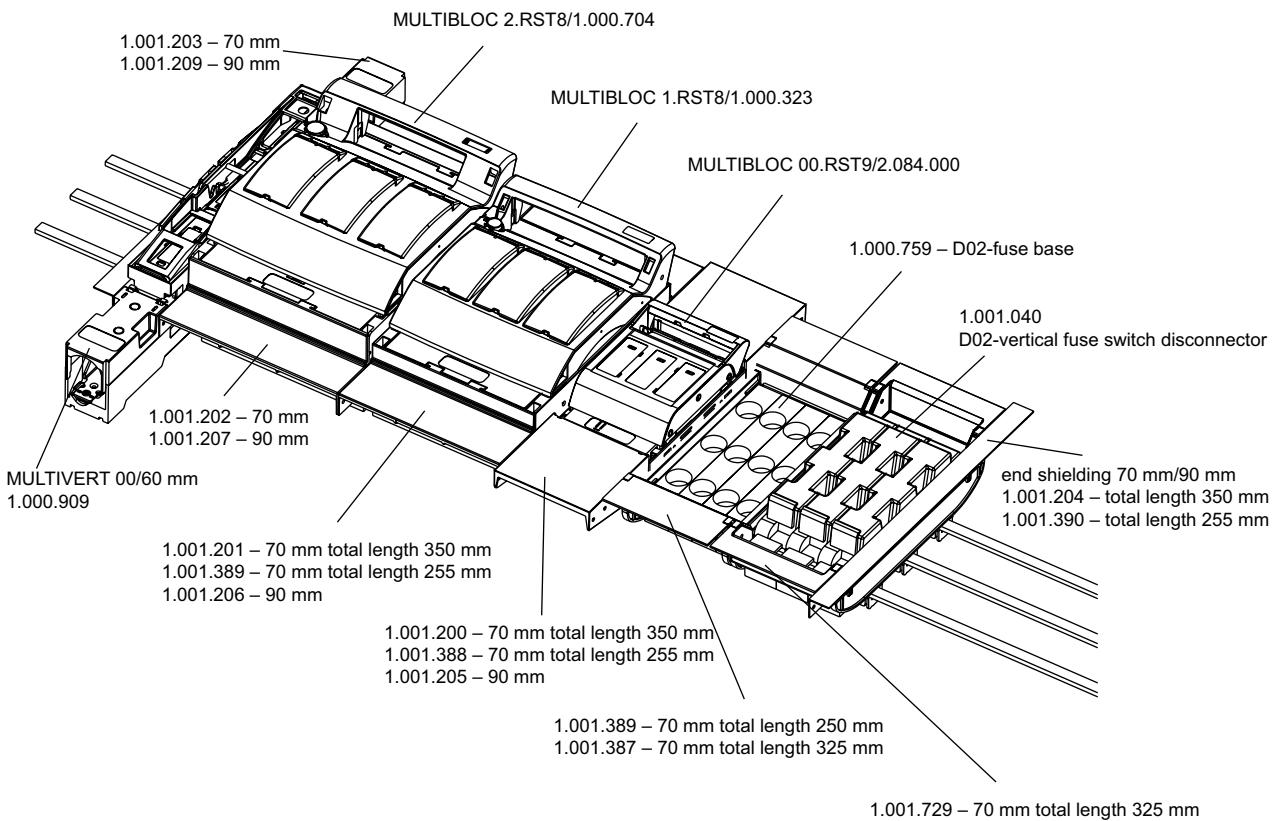
¹weight in kg per piece or set including package

DIMENSIONS

Patented cover shielding system

touch protection for supporting height 70mm or 90mm

supporting height = distance between upper edge of bus bar and supporting edge (E 1.000.713)



Dimensions in mm

MERSEN reserves the right to change, update or correct, without notice, any information contained in this datasheet.



Shah & Shah Enterprise

www.shahent.co.in