



Product Highlights

High-speed ADSL2+ Internet Connection

Support for the latest ADSL2+ standard provides Internet transmission of up to 24 Mbps downstream and up to 1 Mbps upstream

All-in-one Single Box Solution

Built-in ADSL modem, Ethernet and USB ports, QoS, and firewall protection give you everything you need to share your Internet connection

Total Compatibility & Ease of Use

Works with all major service providers; simple setup and bridging feature give you the flexibility to expand your network quickly



DSL-2520U

ADSL2+ 1 Port Ethernet / USB Combo Router

Features

Connectivity

- Built-in ADSL2+ modem for connecting to your high-speed broadband Internet connection

Security

- SPI/NAT firewall to control traffic and prevent exploits and intrusions
- L2TP/PPTP/IPSec VPN Pass Through
- Port Scan detection

Routing

- Bridging feature so you can use an advanced router with no hassles
- Dynamic DNS support for automatic updating of a domain to IP address changes

Easy Setup

- Web browser-based setup and configuration
- Telnet configuration

The DSL-2520U ADSL2+ 1 Port Ethernet / USB Combo Router is an affordable high-performance ADSL device for the home and small office. With integrated ADSL2/2+ supporting up to 24 Mbps download speed, firewall protection and Quality of Service (QoS), this router provides all the essentials that a home or small office needs to quickly establish a secure and high-speed link to the outside world.

Firewall Protection and QoS

Security features prevent unauthorized access to the home and office network from Internet intruders. The router supports Stateful Packet Inspection (SPI), NAT, and port scan detection to prevent attacks from the Internet. Router access control is provided with packet filtering from the LAN based on port and source/destination IP addresses. For Quality of Service (QoS), the router supports multiple priority queues to enable a group of home or office users to experience the benefit of smooth network connection of inbound and outbound data. This feature lets users enjoy high-speed ADSL data transmission for applications such as streaming multimedia, telephony, and online games over the Internet.

Flexible and Easy to Set Up

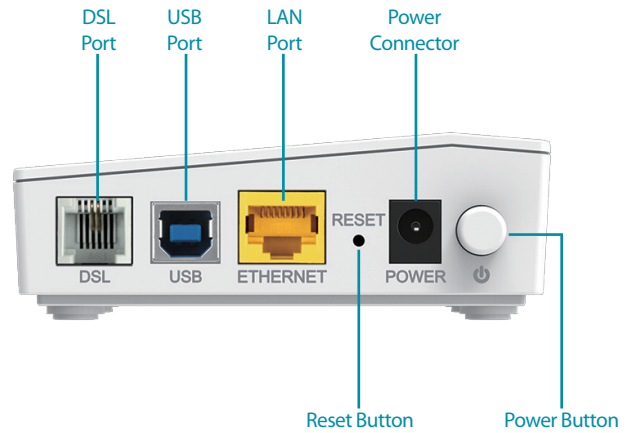
Get the DSL-2520U up and running in no time using the intuitive web-based configuration utility. Simply connect the DSL-2520U to your computer, launch the configuration utility, and follow a few easy steps to get your home network up and running. For versatility, you can even use the bridging feature if you choose to expand your network. Simply change the routing mode and the DSL-2520U can act as a cable modem so you can easily add an advanced router behind it when it's time to add more devices to your network.

DSL-2520U ADSL2+ 1 Port Ethernet / USB Combo Router

VPN Support for Secure Remote Access

To top of the feature list, the DSL-2520U even supports L2TP, PPTP, and IPSec VPN passthrough, so you can access your home or small office network remotely and securely. With VPN passthrough support, your data will be encrypted no matter where you are connecting from on the Internet.

Back View



Technical Specifications

General

Device Interfaces	<ul style="list-style-type: none"> • RJ11 ADSL port • RJ45 Ethernet LAN port 	<ul style="list-style-type: none"> • DSL port • USB 1.1 (slave) port
ADSL Standards	<ul style="list-style-type: none"> • Full ADSL2+/2/1 standards • Discrete Multi-Tone (DMT) • ANSI T1.413 Issue 2 • Annex A, I, J, L, M 	<ul style="list-style-type: none"> • ITU G.992.1 (G.dmt) • ITU G.992.2 (G.lite) • ITU G.992.3 ADSL2 (G.dmt.bis) • ITU G.992.5 (G.dmt.bisplus)
ATM Specification	<ul style="list-style-type: none"> • Support AAL5 • Support 8 Permanent Virtual Circuits (PVCs) 	<ul style="list-style-type: none"> • UBR, CBR, rt-VBR, nrt-VBR • ITU-T I.610 OAM Principles & Functions (include F4/F5)
LEDs	<ul style="list-style-type: none"> • Power • DSL • Internet 	<ul style="list-style-type: none"> • Ethernet • USB

Functionality

Security	<ul style="list-style-type: none"> • Network Address Translator (NAT) • Raw/IP Filtering • SPI • PPP with PAP/CHAP 	<ul style="list-style-type: none"> • DoS (UDP/TCP), detection of known attacks • Detect port scan attack • ID/Password Authentication
Advanced Features	<ul style="list-style-type: none"> • Network Address Translation (NAT) • VPN passthrough/multi-session PPTP/L2TP/IPSec 	<ul style="list-style-type: none"> • Bridging Function • DDNS
Device Configuration/Management	<ul style="list-style-type: none"> • Configuration through Web interface • Configuration through Telnet connection • Implement Log & Trace functions 	<ul style="list-style-type: none"> • PVC & ECO • TFTP, FTP and HTTP for firmware download

Physical

Dimensions	• 110 x 98 x 37 mm (4.33 x 3.86 x 1.46 inches)	
Weight	• 283 grams (0.62 lbs)	
Power	• 12V DC / 0.5 A switching power adapter	
Temperature	• Operating: 0 to 40 °C (32 to 104 °F)	• Storage: -20 to 65 °C (-4 to 149 °F)
Humidity	• 5 % to 95 % non-condensing	
Certifications	• CE	

DSL-2520U ADSL2+ 1 Port Ethernet / USB Combo Router

Order Information	
<i>Part Number</i>	<i>Description</i>
DSL-2520U	ADSL2+ 1 Port Ethernet / USB Combo Router

Updated 2015/07/14



Shah & Shah Enterprise

www.shahent.co.in