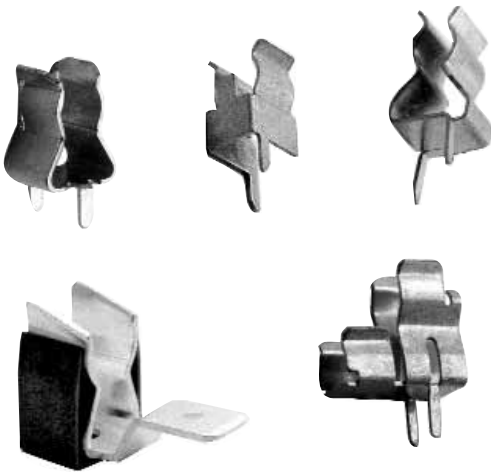




Gears & Fuse Gears

Miniature Fuses Clips MR



5x20 and 6x32 Fuse sizes

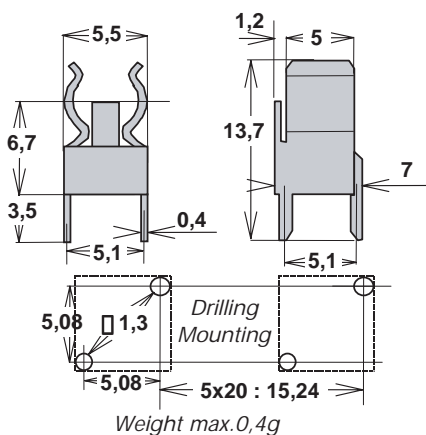
- CLIPS FOR PRINTED CIRCUIT BOARD OR SCREW MOUNTING
- RATED CURRENT BELOW 30A* DEPENDING ON TYPE

Main Characteristics

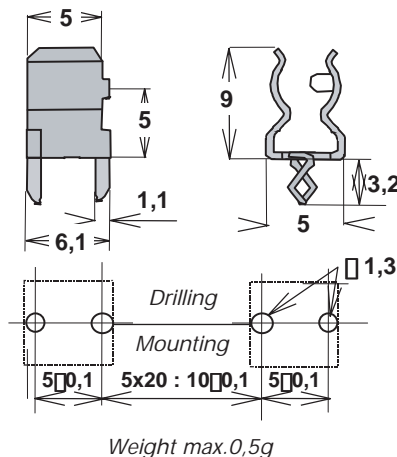
Size	Rated Current A	Power acceptance W 23°C	End Stops	Monting	Material	Designation	Reference Number	in box of 1000pcs	blister of 50pcs	Catalog Number
5x20	6,3*	1,6	Yes	Printed circuitboard	Brass, Tin plated	MR 5 CI.SP	W202074	Yes	Yes	MIMR5CISP
5x20	6,3*	2	Yes	Printed circuitboard	Brass, Tin plated	MR 5 CI-S	J210550	Yes	Yes	MIMR5CI-S
5x20	6,3*	2,5	Yes	Printed circuitboard	Bronze, Tin plated	MR 5 CI-C	K210551	Yes	Yes	MIMR5CI-C
5x20 & 6x32	6,3*	1,6	No	Printed circuitboard	Brass, Nickel plated	MR 5-6	Y098967	Yes	Yes	MIMR5-6
5x20 & 6x32	6,3*	1,6	Yes	Printed circuitboard	Brass, Tin plated	MR 5-6.SP	C204955	No	Yes	MIMR5-6SP
6x32	10*	2,5	Yes	Printed circuitboard	Bronze, Tin plated	MR 6 CI-S	H210549	Yes	Yes	MIMR6CIS
6x32	30*	3,5	No	Screw mounting 6,3mm slip-on connector tags	Silver plated copper + stainless steel spring	MR 6 VI	K091480	No	Yes	MIMR6VI

* Depends on fuse cover number for 5x20. L210552P

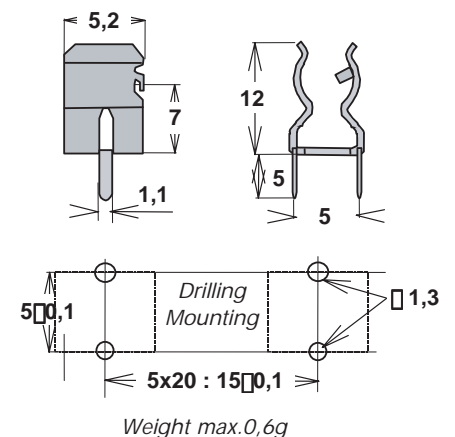
MR 5 CI.SP:



MR 5 CI.S:



MR 5 CI.C:



Shah & Shah Enterprise

www.shahent.co.in

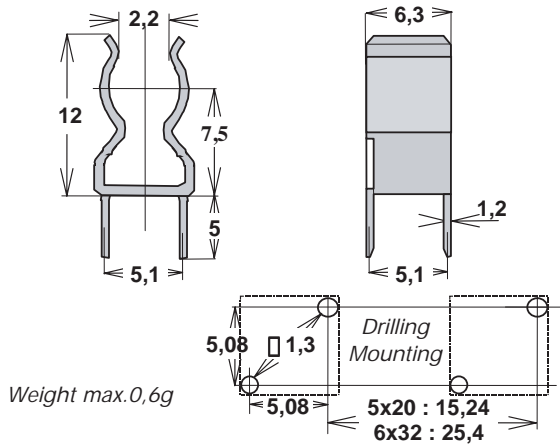
Gears & Fuse Gears



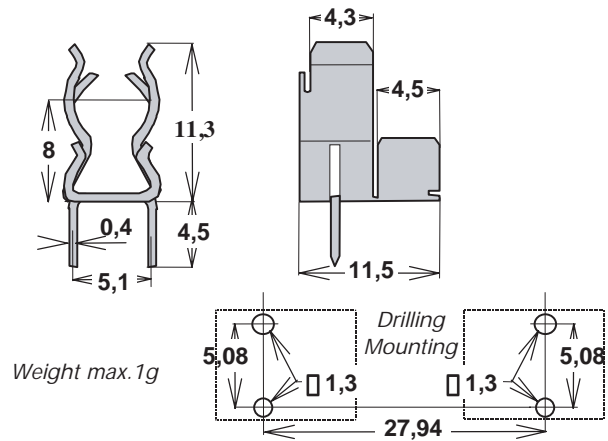
Miniature Fuses Clips MR

5x20 and 6x32 Fuse sizes

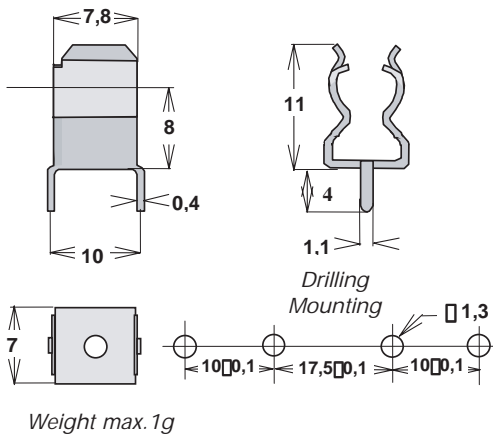
MR 5 - 6:



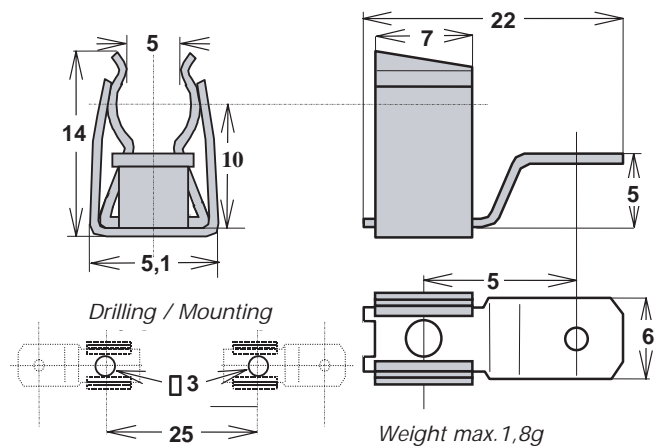
MR 5 - 6 SP:



MR 6 CI - S:



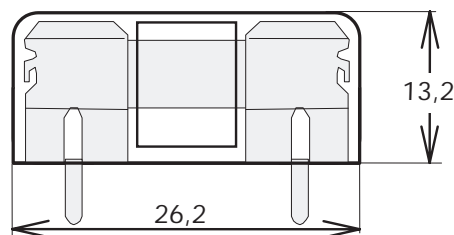
MR 6 VI:



CPT 5x20 FOR MR5CI-C & MR5-6:

Ref.. L210552

Cat. Num MICPT5MR5CI-C



Shah & Shah Enterprise

www.shahent.co.in