

Gears & Fuse Gears



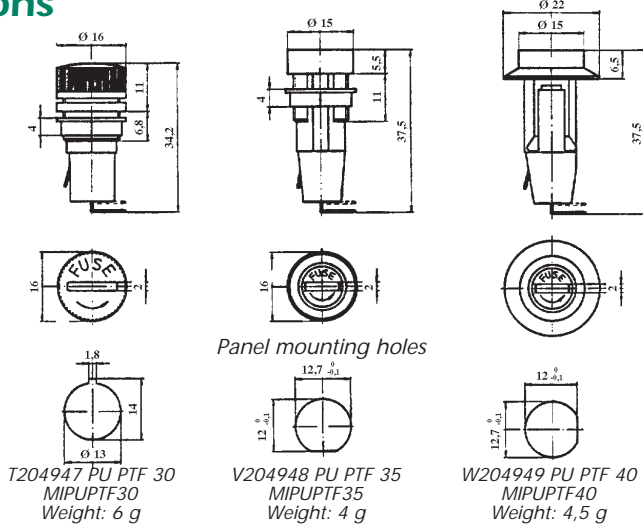
Miniature Fuses Panel Mount Fuseholders PU PTF



250 V AC 6,3A
SHOCK-SAFE FUSE HOLDER 5 x 20
PU PTF 30 - PU PTF 35 - PU PTF 40



Dimensions



Main Characteristics

Electrical characteristics:

- Rated voltage : 250 V.
- Power dissipation : 2,5 W à 40° C.
- Rated current : 6,3A.
- Dielectric Strength : > 3 KV, 50 Hz, 1 min. dry.
- Contact resistance : < 5 mΩ.
- Insulation resistance : > 100 MΩ.

Mounting:

| | PU PTF 30 | PU PTF 35 | PU PTF 40 |
|---------------------|--------------|--------------|---------------|
| Thickness panel : | 1 to 3 mm | 1 to 6 mm | 0,8 to 2,5 mm |
| Tightening torque : | max. 1,2 N.m | max. 1,2 N.m | |

Connections :

slip-on connectors type 2,8 thickness 0,5 mm can be soldered.

Material:

- Holder: Thermoplastics (PC) UL 94 V0, Black.
- Cover: Thermoplastics (PC) UL 94 V0, Black.
- Metal parts copper: Copper Alloy (CuZn37) corrosion protected (Ni+Sn).

Shock Safety: PC1 (IEC standard 127-6).

Packaging:

- 10 and 1000 pieces.



Shah & Shah Enterprise

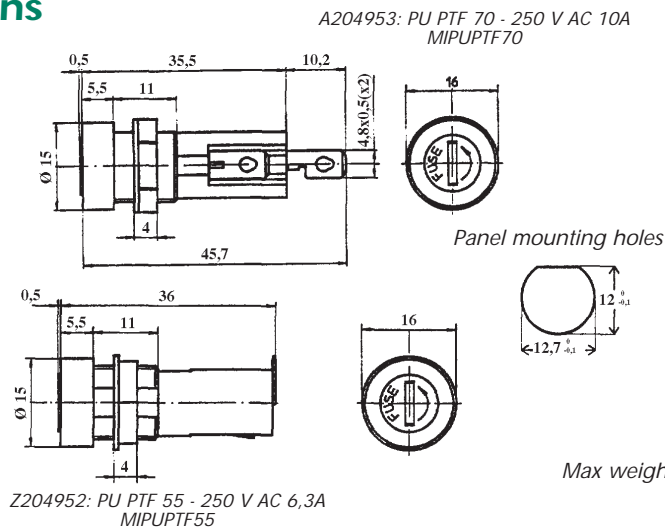
www.shahent.co.in

Miniature Fuses Panel Mount Fuseholders PU PTF



250 V AC 6,3A
SHOCK-SAFE FUSE HOLDER 5 x 20
PU PTF 70 - PU PTF 55

Dimensions



Main Characteristics

Electrical characteristics:

- Rated voltage: 250 V.
- Power dissipation: 2,5 W à 40° C.
- Rated current: 10A PU PTF 70 - 6,3A PU PTF 55
- Dielectric strength: > 3 KV, 50 Hz, 1 min. dry.
- Contact resistance: < 5 mΩ.
- Insulation resistance: > 100 MΩ.

Mounting:

Front panel thickness from 1 to 6 mm (punched hole : see drawing). Max. tightening torque : 1,2 N.m

Connections:

Slip-on connectors type 4,8 for PU PTF 70 and 2,8 for PU PTF 55, thickness 0,5 mm can be soldered.

Material:

- Holder: Thermoplastics (PBT) UL 94 V0, Black.
- Cover: Thermoplastics (PBT) UL 94 V0, Black.
- Metal parts: Copper Alloy (CuZn37) corrosion protected (Ni+Sn).

Shock Safety:

- PC1 (IEC standard 127-6).

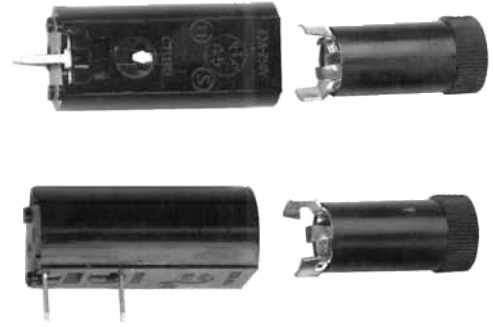
Packaging:

- 10 and 1000 pieces

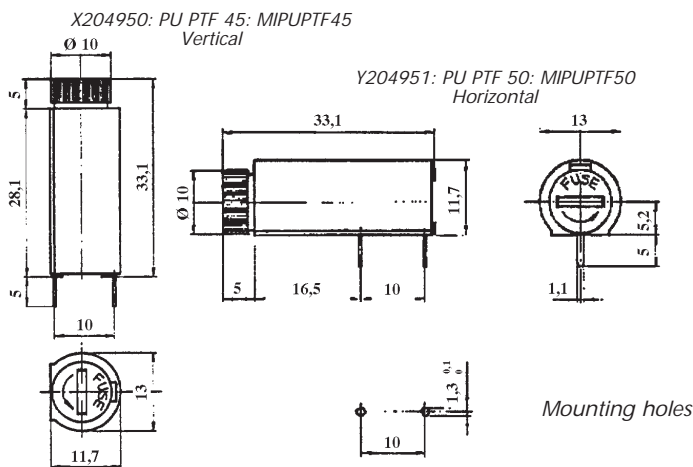


Miniature Fuses Panel Mount Fuseholders PU PTF

250 V AC 6,3A
SHOCK-SAFE FUSE HOLDER 5 x 20
PU PTF 45 - PU PTF 50
Printed circuit board mounting.
Bayonet cover.



Dimensions



Max weight: PU PTF 45 : 5 g
PU PTF 50 : 5 g

Main Characteristics

Electrical characteristics:

- Rated voltage: 250 V.
- Power dissipation: 2,5 W à 40° C.
- Rated current : 6,3A.
- Dielectric strength: > 3 KV, 50 Hz, 1 min. dry.
- Contact resistance: < 5 mΩ.
- Insulation resistance: > 100 MΩ.

Mounting & Connections:

- Printed circuit board, vertical (PU PTF 45) or horizontal (PU PTF 50) mount.
- Soldering pins 0,5 x 1,1 mm. Solderability in accordance with IEC 68-2-2.

Material:

- Holder: Thermoplastics (PC) UL 94 V0, Black.
- Cover: Thermoplastics (PBT) UL 94 V0, Black.
- Metal parts: Copper Alloy (CuZn37) corrosion protected (Ni+Sn).

Shock Safety:

- PC1 (IEC standard 127-6).

Packaging:

- 10 and 1000 pieces.

