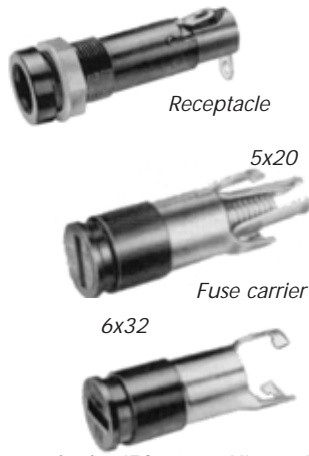


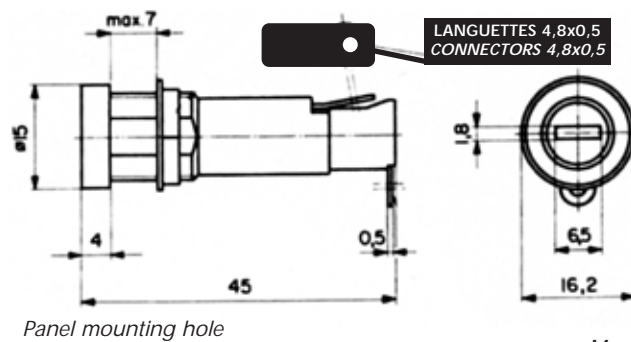
## Miniature Fuses Panel Mount Fuseholders PU



As per standards: IEC 127-6, UL512, IEC257.

250V AC 10A Montage frontal  
For 5X20 and 6X32 Fuses  
PU PANEL 5-6 à languettes

### Dimensions



Max weight :

Receptacle:

T 210 536 : 5g

Fuse carrier:

5x20 X 210 539 : 2,5g

6x32 Y 210 540 : 2,5g

### Main Characteristics

#### Electrical characteristics:

- Rated voltage: 250V.
- Admissible fuse power dissipation: 5X20 fuses 4W ; 6x32 fuses 4W at 23°C.
- Rated current approved: 10A according to IEC 127 and 16A according to UL.
- Dielectric strength: 4KV, 50Hz, 1min dry.
- Protection class: PC2 according IEC 127 or IP 40 according EN 60 529.
- Allowable ambient air temperatures  $T_a$  for accessible parts : -25°C to +85°C (Derating admissible power acceptance)
- Contact resistance: 5m $\Omega$ .
- Isulation resistance (500VDC/1min) : > 100M $\Omega$ .

#### Mounting:

Front panel mounting. Torque/Fixing nut : max. 1,2 Nm  
Slip-on connectors type 4,8mm X 0,5mm, can be soldered

#### Fuse carrier:

with bayonet fixing, screwdriver slot.  
5x20 X210539 - Cat n° MIBH5PUS-6  
6x32 Y210540 - Cat n° MIBH6PUS-6

#### Receptacle:

T210536 - Cat n° MIPUP5-6L

#### Packaging:

10 and 100 pieces.



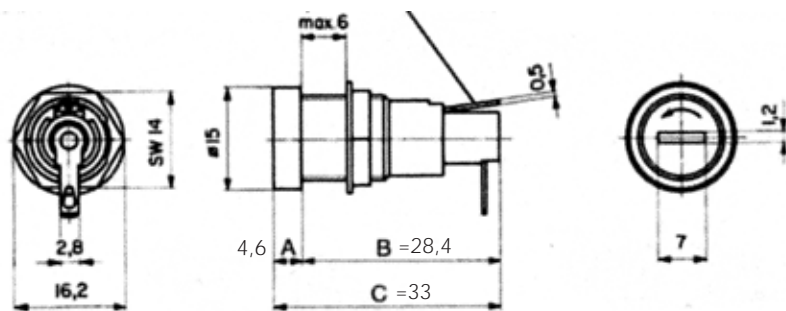
## Miniature Fuses Panel Mount Fuseholders PU

250V AC 10A IP65  
For 5X20 Fuses  
PU 5x20 IP65 COMPLET

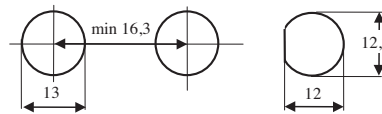


As per standards: IEC 127-6, UL512, IEC257.

### Dimensions



Panel mounting hole



Max weight: Receptacle & Fuse carrier F 210 547: 5g

### Main Characteristics

#### Electrical characteristics:

- Rated voltage: 250V.
- Admissible fuse power dissipation: 2,5W à 23°C.
- Rated current approved: 6,3A according to IEC 127 and 10A as per UL.
- Dielectric strength: 4KV, 50Hz, 1min dry.
- Protection class: PC2 according IEC 127 or IP 65 according EN 60 529.
- Allowable ambient air temperatures for accessible parts: -25°C to +85°C (Derating admissible power acceptance)
- Contact resistance: 5mΩ.
- Isulation resistance (500VDC/1min): > 100MΩ

#### Mounting:

Front panel mounting. Torque/Fixing nut: max. 1,2 Nm.  
Slip-on connectors type 2,8mm X 0,5mm, can be soldered.

#### Fuse carrier:

screw type, screwdriver slot, torque 0,35NNm.

#### Receptacle & fuse carrier:

F210547 - Cat n°: MIPU5IP65 COMPL



## Miniature Fuses Panel Mount Fuseholders PU



Fuse carrier 6x32

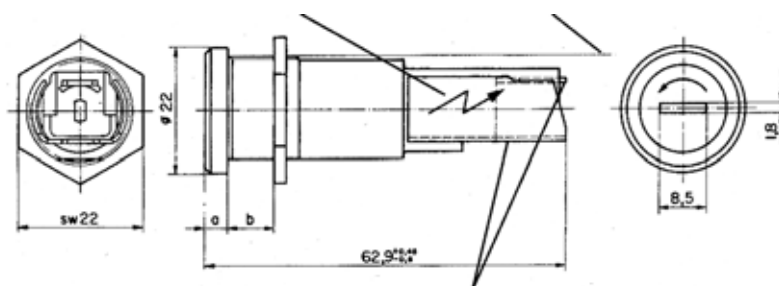


Fuse carrier 5x20

250V AC 16A IP67  
For 5X20 and 6X32 Fuses

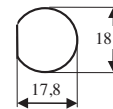
As per standards: IEC 127-6, UL512, IEC257.

### Dimensions



Panel mounting hole

Max weight: Receptacle: A 210 542 : 10g  
Fuse carrier 5x20 C 210 544 : 2,5g  
6x32 E 210 546 : 2,5g



### Main Characteristics

#### Electrical characteristics:

- Rated voltage : 250V.
- Admissible fuse power dissipation : 4W à 23°C.
- Rated current approved : 16A according to IEC 127 and 30A according to UL.
- Dielectric strength : 4KV, 50Hz, 1min dry.
- Protection class : PC2 according IEC 127 or IP 67 according EN 60 529.
- Allowable ambient air temperatures  $T_a$  for accessible parts : -25°C to +85°C (Derating admissible power acceptance)
- Contact resistance : 3,5mΩ.
- Isulation resistance (500VDC/1min) : > 100MΩ

#### Mounting:

Front panel mounting. Torque/Fixing nut : max. 2.4 Nm.  
Slip-on connectors type 6.3mm X 0.8mm, can be soldered.  
Cross-section 6mm $\approx$ .

**Fuse carrier:** screw type, screwdriver slot.

5x20 C210544 - Cat N° MIBH5PU5-6IP67  
6x32 E210546 - Cat N° MIBH6PU5-6IP67

#### Receptacle:

A210542 - Cat N° MIPU5-6IP67

#### Packaging:

- 10 and 100 pieces.



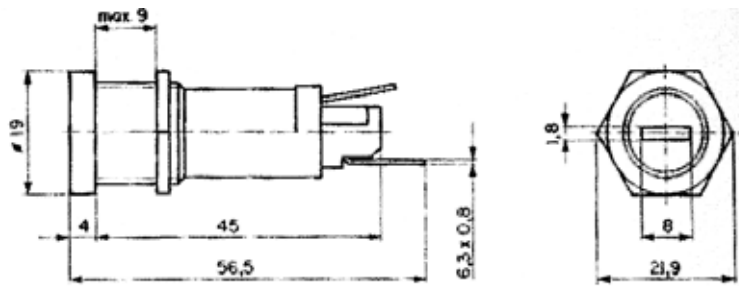
## Miniature Fuses Panel Mount Fuseholders PU

500V AC 10A  
For 5X20 and 6X32 Fuses  
PU 500V 5-6 à languettes



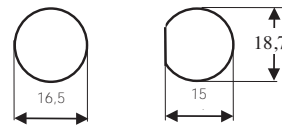
As per standards: IEC 127-6, UL512, IEC257.

## Dimensions



Panel mounting hole

Max weight : Receptacle Z210541 : 5g  
Fuse carrier 5x20 B210543 : 2,5g  
6x32 D210545 : 2,1g



## Main Characteristics

### Electrical characteristics:

- Rated voltage: 500V.
- Admissible fuse power dissipation: 4W à 23°C.
- Rated current approved: 10A as per IEC 127 and 20A as per UL.
- Dielectric strengt: 4KV, 50Hz, 1min dry.
- Protection class: PC2 according IEC 127 or IP 40 according EN 60 529.
- Allowable ambient air temperatues Ta for accessible parts: -25°C to +85°C (Derating admissible power acceptance)
- Contact resistance: 5mΩ.
- Isulation resistance (500VDC/1min) : > 100MΩ.

### Mounting:

Front panel mounting. Torque/Fixing nut: max. 1,2 Nm.

Slip-on connectors type 6,3mm thickness 0,8mm can be soldered. Cross-section 6mm≈.

**Fuse carrier:** screw type, screwdriver slot.

5x20 B210543 - Cat N° MIBH5PU500V5-6

6x32 D210545 - Cat N° MIBH6PU500V5-6

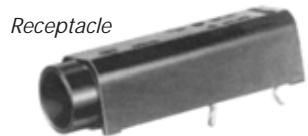
### Receptacle:

Z210541 - Cat N° MIPU500V5-6L

### Packaging:

- 10 and 100 pieces.

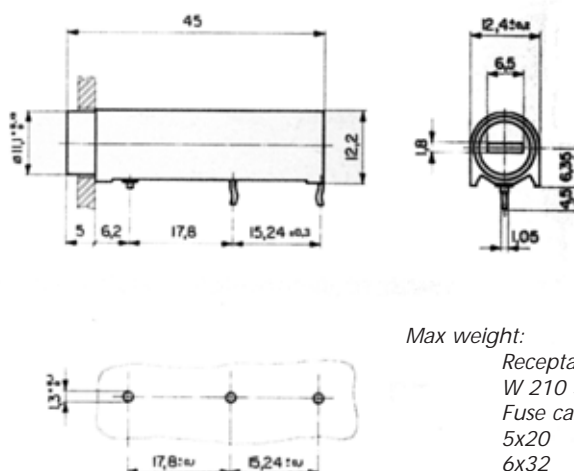
## Miniature Fuses Panel Mount Fuseholders PU



As per standards: IEC 127-6, UL512, IEC257.

250V AC 10A montage horizontal  
For 5X20 and 6X32 Fuses  
PU CI-H 5-6 picots

### Dimensions



Max weight:

Receptacle:

W 210 538 : 5g

Fuse carrier:

5x20 X 210 539 : 2,5g

6x32 Y 210 540 : 2,5g

### Main Characteristics

#### Electrical characteristics:

- Rated voltage: 250V.
- Admissible fuse power dissipation: 5X20 fuses 2,5W ;6x32 fuses 3,2W at 23°C.
- Rated current approved: 10A according to IEC 127 and 16A according to UL.
- Dielectric strength: 4KV, 50Hz, 1min dry.
- Protection class: PC2 according IEC 127 or IP 40 according EN 60 529.
- Allowable ambient air temperatures  $T_a$  for accessible parts: -25°C to +85°C (Derating admissible power acceptance)
- Contact resistance: 5m $\Omega$ .
- Isulation resistance (500VDC/1min) : > 100M $\Omega$ .

#### Mounting:

PCB mount horizontal.  
Solderability 235°C 5s.

**Fuse carrier:** with bayonet fixing, screwdriver slot.

5x20 X210539 - Cat N° MIBH5PU5-6

6x32 Y210540 - Cat N° MIBH6PU5-6

#### Receptacle:

W210538 - Cat N° MIPUCI-H5-6P

#### Packaging:

- 10 and 100 pieces.