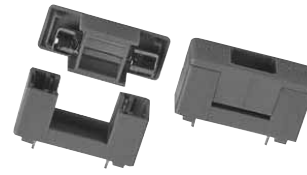




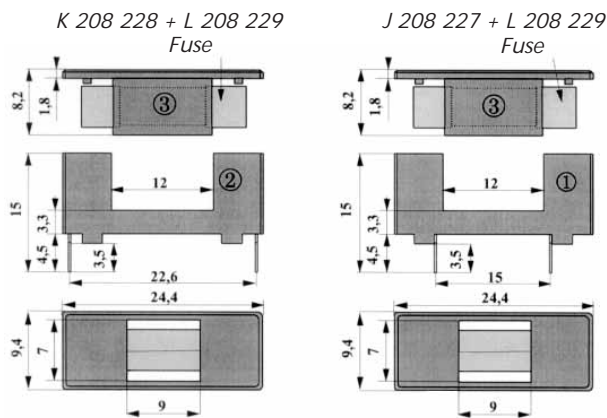
Miniature Fuses Single-Pole Fuse Blocks SI PTF



250 V AC 6,3 A
Fuse-base for 5 x 20 Fuses
SI PTF 76 - 78 and CPT BS PTF 76/78



Dimensions



Max weight : Base: ① SI PTF 76 réf.: J 208 227 - Cat N° MISIPTF76: 1,5 g – ② SI PTF 78 réf. : K 208 228 - Cat N° MISIPTF78: 1,5 g
Hood: ③ CPT BS 76/78 réf. : L 208 229 - Cat N° MICPTBSPTF76-78: 0,5 g

Main Characteristics

Electrical characteristics:

- Rated voltage: 250V.
- Power dissipation: 1,6W à 40°C.
- Rated current approved : 6,3A.
- Dielectric Strength: > 3KV, 50Hz, 1 min dry.
- Contact resistance: < 5mΩ.
- Impulse withstand voltage: > 6KV (1,2/50μs).

Mounting:

Soldering pins (According. IEC 68-2-20).

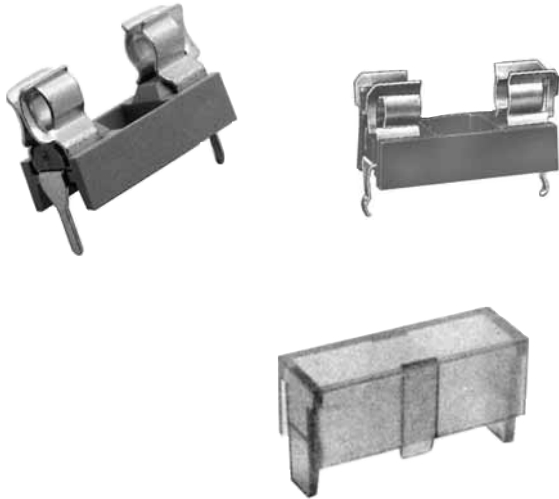
Material:

- Holder and Hood: Thermoplastic (polyamide PA6,8) UL 94 V0, Green.
- Metal parts: Copper Alloy (CuZn37H30) corrosion protected (2μm Ni + 5μm Sn).

Packaging:

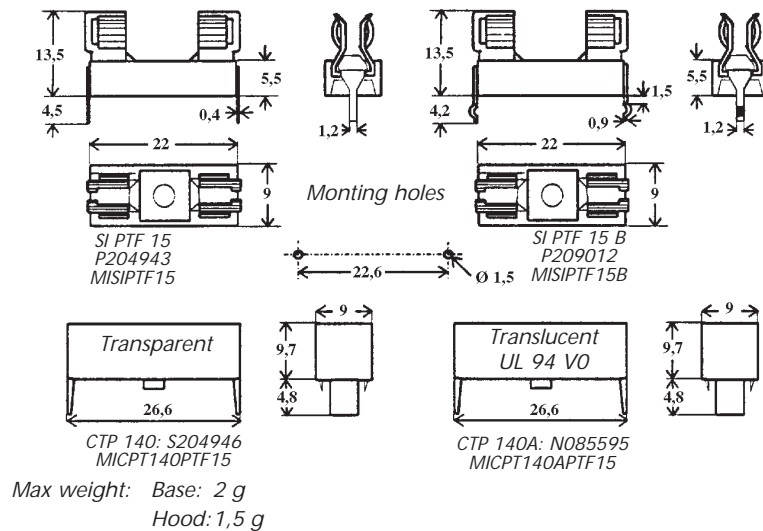
- 10 and 1000 pieces.

Miniature Fuses Single-Pole Fuse Blocks SI PTF



250 V AC 6,3 A
Fuse-base for 5 x 20 Fuses
SI PTF 15 - 15B and CPT 140-140A
Printed circuit board

Dimensions



Main Characteristics

Electrical characteristics:

- Rated voltage: 250V.
- Power dissipation: 1,6W à 40°C.
- Rated current approved : 6,3A.
- Dielectric Strength: > 3KV, 50Hz, 1 min dry.
- Contact resistance: < 5mΩ.
- Insulation resistance:> 100mΩ.

Mounting:

- Soldering pins (According. IEC 68-2-20).
- P.C.B. mounting hole: Ø 1,5mm.

Material:

- Holder: Thermoplastics (PPOM° UL 94 V1, Beige).
- Cover: Thermoplastics transparent (CPT 140 SAM) (CPT 140A PC UL 94 V0).
- Metal parts copper: Copper Alloy (CuZn37H30) corrosion (Ni+Sn).

Shock Safety:

- PC1 (IEC standards 127-6).

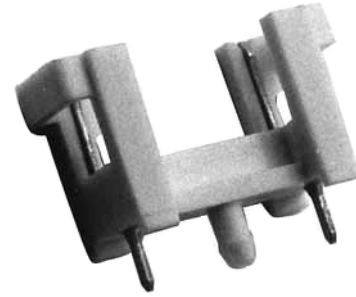
Packaging:

- 10 and 1000 pieces.

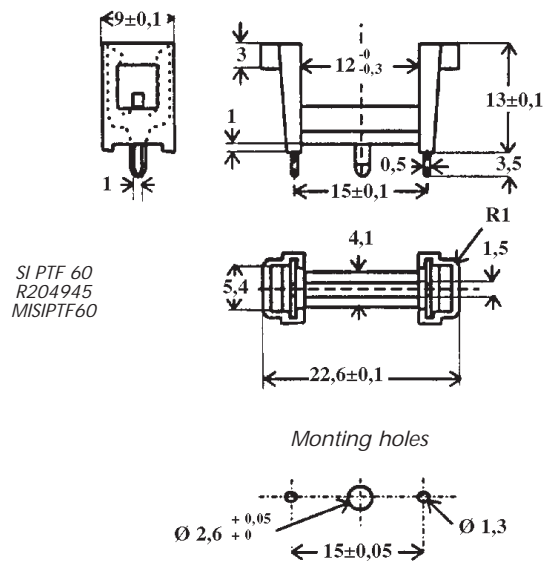


Miniature Fuses Single-Pole Fuse Blocks SI PTF

250 V AC 6,3 A
Fuse-base for 5 x 20 Fuses
SI PTF 60
Printed circuit board for automatic equipment



Dimensions



Max weight: 1,3 g

Main Characteristics

Electrical characteristics:

- Rated voltage: 250 V.
- Power dissipation: 1,6 W à 40° C.
- Rated current approved: 6,3A.
- Dielectric Strength: > 3 KV, 50 Hz, 1 min. dry.
- Contact resistance: < 5 mΩ.
- Insulation resistance: > 100 MΩ.

Mounting:

Soldering pins (According IEC 68-2-20). P.C.B. mounting hole : 2 x Ø 1,3 mm and 1 x Ø 2,6 mm.

Material:

- Holder: Thermoplastics (PBT) UL 94 V0, White.
- Metal parts copper : Copper Alloy (CuSn7) corrosion protected (Sn).

Shock Safety:

PC1 (IEC standard 127-6).

Packaging:

- 10 and 1000 pieces.

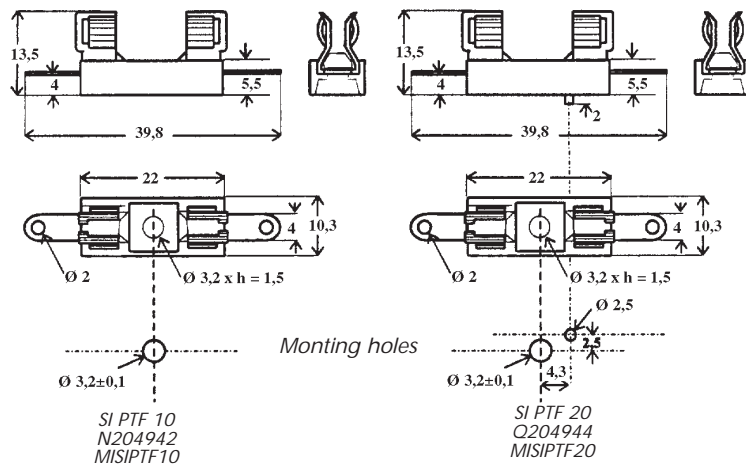
Miniature Fuses Single-Pole Fuse Blocks SI PTF



250 V AC 6,3 A
Fuse-base for 5 x 20 Fuses
SI PTF 10 - SI PTF 20
For screw mounting

Piece with anti-rotation

Dimensions



Max weight : 2,2 g

Main Characteristics

Electrical characteristics:

- Rated voltage: 250 V.
- Power dissipation: 1,6 W à 40° C.
- Rated current approved: 6,3 A.
- Dielectric Strength: > 3 KV, 50 Hz, 1 min. dry.
- Contact resistance: < 5 m Ω .
- Insulation resistance: > 100 M Ω .

Mounting:

- Screwed M3.
- Mounting hole : $\varnothing 3,3$ mm.

Material:

- Holder: Thermoplastics (PPOM) UL 94 V1, Beige.
- Metal parts: Copper Alloy (CuZn37H30) corrosion protected (Ni+Sn).

Shock Safety:

- PC1 (IEC standard 127-6).

Packaging:

- 10 and 1000 pieces.