

# IEC Low Voltage General Purpose Protection

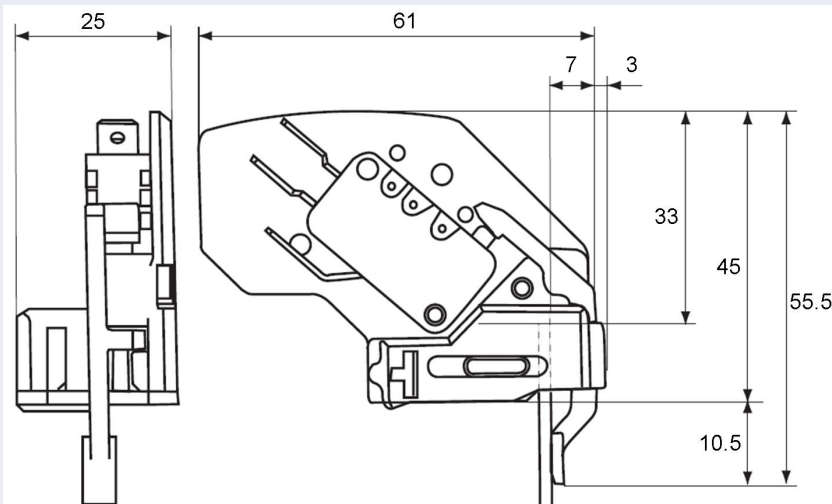
## NH microswitches indication system

For NH fuse-links Sizes 000 to 3



| Variant                                | Catalog Number | Reference Number | Weight (g) | Pack. |
|--|----------------|------------------|------------|-------|
| 2.8mm clips - automatically resettable | MSNH2-5B2PRES  | M1002627         | 26         | 3     |
| 6.3mm clips - automatically resettable | MSNH2-5B6PRES  | A1003214         | 30         | 3     |

### Dimensions (mm)



Automatically resettable, these microswitch systems indicate fuse presence (PRES) and proper mounting.

In case of improper mounting or fuse melting, this is indicated (terminal 1-4 closed).



MSNH2-5B2PRES  
M1002627  
2.8mm clips



MSNH2-5B6PRES  
A1003214  
6.3mm clips

**Related products**  
NH fuse-links Sizes 000 to 3 with non-isolated gripping lugs